

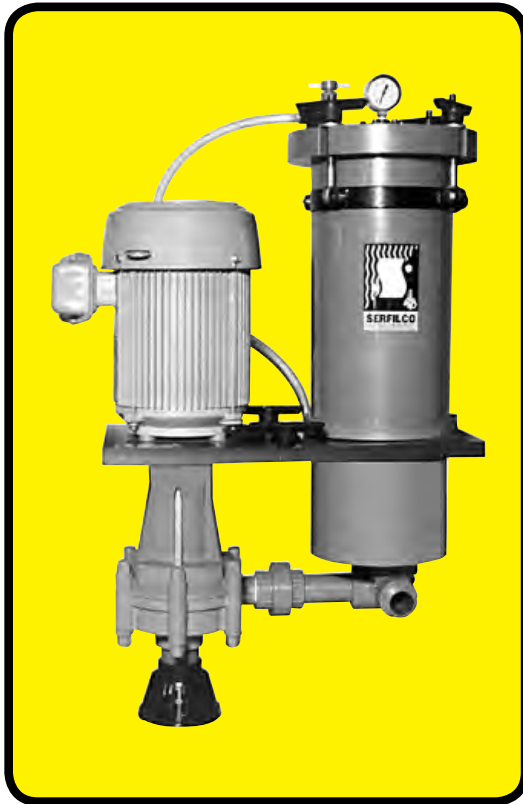


# ADMIRAL® 'EHJ' FILTRATION SYSTEMS

261

F-508C

*Electroplating, printed circuit board, fume scrubber*



## FEATURES

- Flow rates from 5,800 to 10,000 GPH
- **Non-metallic solution contact**  
CPVC with EPDM elastomers  
Viton® elastomers optional
- **Runs dry without damage**
- **High filter surface area —**  
6-20", 30" or 40" cartridges
- **Handles temperatures to 180°F**  
*(See a chemical resistance chart)*
- **Compact package**
- **Designed for reservoir installation**
- **Economical OEM replacement**

## BENEFITS

- **Improve finished goods quality, eliminate scrap and rework**
- **Reduce chemical consumption by maintaining solution quality**
- **Minimize downtime and maintenance with dry-run 'EH' pump**
- **Higher continuous flow and filter area than original equipment systems**
- **Easy cartridge change — no tools required**

## SPECIFICATIONS

### SYSTEM:

ADMIRAL 'EHJ' filtration systems consist of a CPVC pump and filter chamber, assembled on a 2-piece modular PVC mounting plate. The mounting plate is joined with a rabbet joint and secured with 316 stainless steel hardware. The pump discharge and filter inlet are connected by a union fitting. This arrangement allows simplified installation and convenient pump removal for reservoir or pump maintenance. The standard mounting plate is 22" x 12" overall. Custom plates are available.

### FILTER:

Innovative design with oversized inlet and outlet allows extended intervals of high flow operation with minimal pressure drop. The chamber is constructed of CPVC with EPDM elastomers and is available with 6 - 20", 30" or 40" cartridge capacity. Chamber includes swing bolt cover closure with 'T'-handles, therefore, no tools are required for easy cartridge changing. Also included is a 0 - 60 psi gauge with guard assembly and a vent valve assembly designed to direct vent mist back to the reservoir. Chamber features totally non-metallic solution contact and stainless steel external hardware.

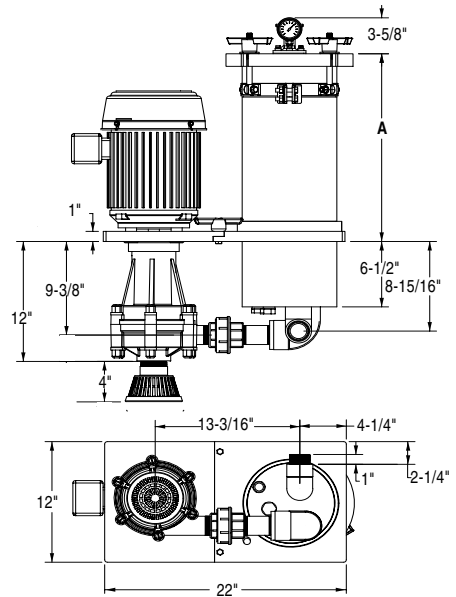
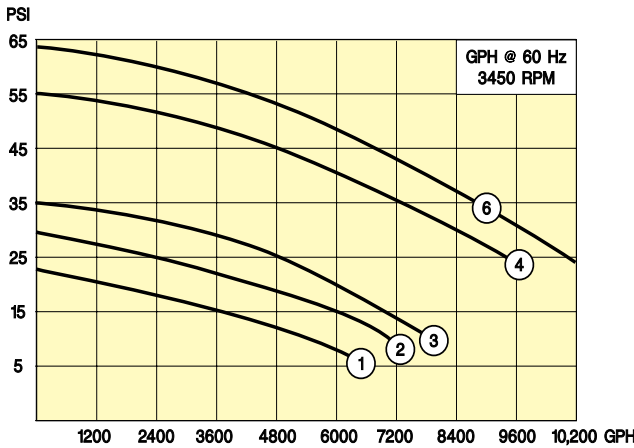
10



**PUMP:**

Industry leading Series 'EH' pumps will provide years of quiet, efficient, trouble-free operation.

Constructed of CPVC with standard EPDM elastomers, TFE vapor seal and polyethylene suction strainer. These pumps provide totally non-metallic solution contact. The cantilever shaft, Series 'EH' pump will even run dry without damage. Motors are 1.5 to 7.5 HP, 230-460V/3Ø/50-60Hz, 2850/3450 RPM with 1.15 service factor. They are chemical service, TEFC with oversized bearings, two-part epoxy paint and stainless steel tag.



DIMENSIONS	
MEDIA LENGTH	HEIGHT
	A
20"	18-5/8"
30"	28-5/8"
40"	38-5/8"

**SPECIFICATIONS and ORDERING INFORMATION**

CURVE NO.	ORDER NUMBER	FLOW GPH @ 60 Hz	MEDIA *	SURFACE AREA Ft. <sup>2</sup>	PUMP HP	DISCHARGE CONNECTION SHIPPING	WEIGHT Lbs.
1	CJ12EH115	5,800	6 - 20"	42	1.5	1½" MNPT	125
	CJ18EH115		6 - 30"	63			135
2	CJ12EH220	6,300	6 - 20"	42	2.0	1½" MNPT	130
	CJ18EH220		6 - 30"	63			140
3	CJ12EH330	6,900	6 - 20"	42	3.0	1½" MNPT	150
	CJ18EH330		6 - 30"	63			160
	CJ24EH330		6 - 40"	84			170
4	CJ12EH450	8,800	6 - 20"	42	5.0	1½" MNPT	155
	CJ18EH450		6 - 30"	63			165
	CJ24EH450		6 - 40"	84			175
6	CJ12EH575	10,000	6 - 20"	42	7.5	1½" MNPT	170
	CJ18EH575		6 - 30"	63			180
	CJ24EH575		6 - 40"	84			190

\*NOTE: Order filter cartridges separately. Refer to Bulletin M-109.

OPTIONAL	ADD TO SYSTEM NO.
Viton® elastomers on filter chamber and pump	V

10