



SERFILCO®
INTERNATIONAL

SERIES 'EO' VERTICAL PUMPS

BULLETIN
P-312-international
Dec 2010



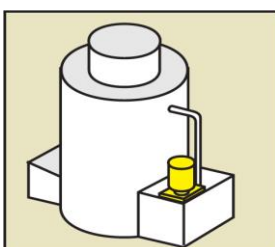
**HIGH EFFICIENCY AND LOW ENERGY
USAGE FOR:**

**PLATING / WET PROCESSING / ACIDS
CHEMICALS / FUME SCRUBBERS and
CLEANING SOLUTIONS**

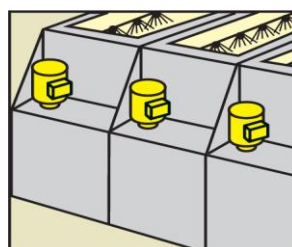
- Flows to 300 LPM or 15m @ 50 Hz, 185 U.S GPM or 145 FT. TDH @ 60 Hz
- **Non-metallic solution contact**
-PP high temperature polypropylene construction, CPVC, PVDF or ECTFE-T
- **Shaft vapour seal protects motor bearing**
- **Runs dry – no bearings**
- **Chemical duty motor (0.37 kW– 1.5 kW)**
- **Centrifugal – quiet, vibration-free**
- **In or Out-of-tank installation**
- **BSP or NPT connections**

The series 'EO' Sump Pump features cantilevered, sleeved, stainless steel shaft with vapour seal between the rotating shaft and the support column to further protect the motor. The cantilevered shaft eliminates bearings and conventional pump seals resulting in a pump that can run dry without damage. A compound impeller prevents liquid from rising in the column, even at maximum TDH, while the fully – enclosed bottom impeller provides high hydraulic efficiency at low horsepower.

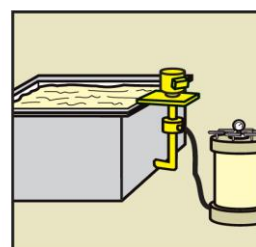
A unique characteristic of all Series 'EO' pumps is their ability to lift solution with an optional suction extension pipe installed. With the motor energised, the pump will self-prime when liquid is at impeller level. The solution level will then be pumped down to the end of the suction extension to a maximum depth of 2.7m (9ft). The pump will lose prime, then automatically re-prime when liquid again reaches the impeller.



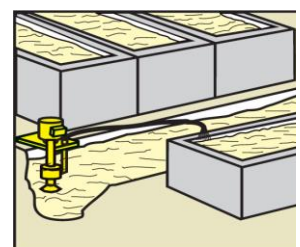
FUME SCRUBBING



PCB WET PROCESSING



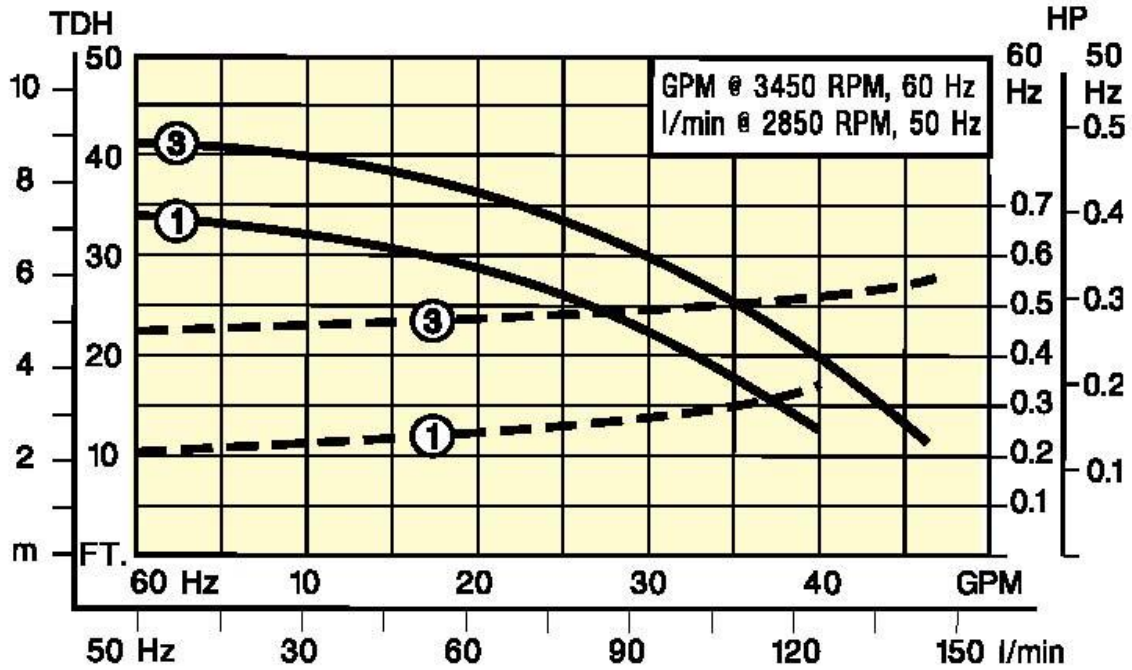
OUT-OF-TANK PUMPING



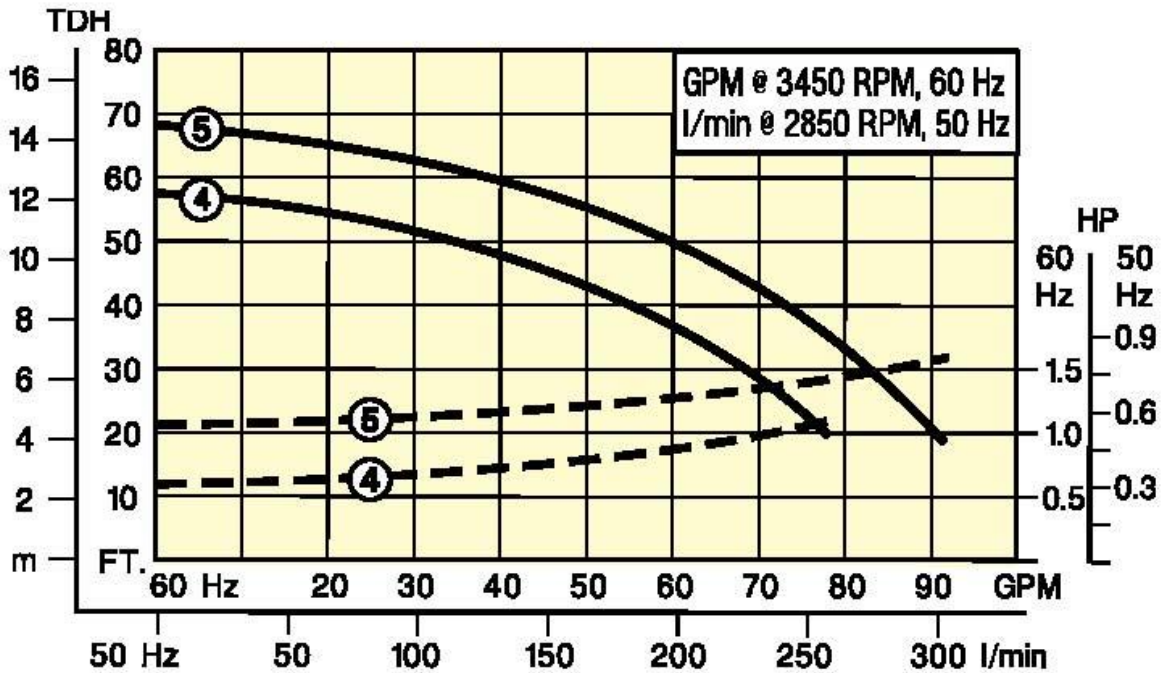
SUMP DRAINING and
WASTE TREATMENT

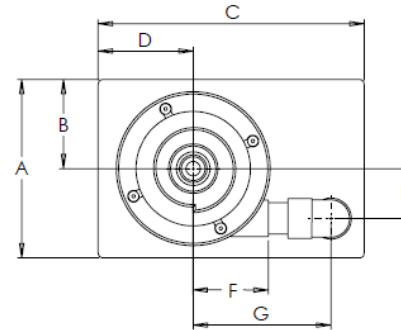
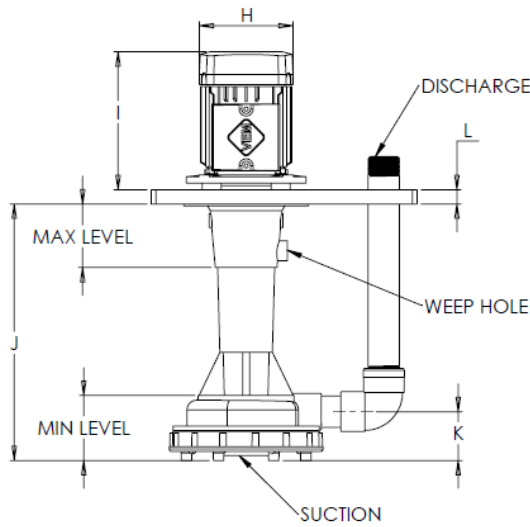


MODEL EO1



MODEL EO1¼





BOTTOM VIEW

SERIES EO DIMENSIONS IN MM						
DIMENSION	EO1			EO11/4		
	CPVC	PP	PVDF	CPVC	PP	PVDF
A	200			250		
B	100			125		
C	298			356		
D	102			127		
E	48			67		
F	89			102		
G	152	162	137	184	178	178
H	0.5HP			124		
	0.75HP			N/A		
	1.0HP			140		
I	0.5HP			210		
	0.75HP			N/A		
	1.0HP			245		
J	335			337		
K	59			59		
L	19			19		

SERIES EO LEVELS AND CONNECTIONS		
	EO1	EO11/4
MIN LEVEL	83	92
MAX LEVEL	105	105
SUCTION	1-1/4" FEMALE NPT	1-1/2" FEMALE NPT
DISCHARGE	1" FEMALE NPT	1-1/4" FEMALE NPT
WEEP HOLE	1/2" FEMALE NPT	1/2" FEMALE NPT
CPVC AND PP ALSO AVAILABLE WITH BSP THREADS		
THE PUMP SHOWN IS FITTED WITH THE OPTIONAL DISCHARGE PIPE ASSEMBLY, TERMINATING IN A MALE THREAD. NPT OR BSP THREAD OR SOCKET UNION AVAILABLE		

TO ORDER STANDARD MODEL USE PRICE CODE IN TABLE 1

TABLE I Standard 50 Hz models with 3 phase metric Motors

FLOW CURVE NO.	POLYPROPYLENE/EPDM		CPVC/EPDM		PVDF/VITON	
	MODEL NO.	PRICE CODE	MODEL NO.	PRICE CODE	MODEL NO.	PRICE CODE
1	EO1PPL1-DM0.5-B	39-1111-GMB	EO1CL1-DM0.5	39-1211-GM	EO1KV1-DM0.5	39-1321-GM
3	EO1PPL3-DM0.5-B	39-1113-GMB	EO1CL3-DM0.5	39-1213-GM	EO1KV-DM0.5	39-1323-GM
4	EO11/4PPL4-DM0.75-B	39-2114-HMB	EO11/4CL4-DM0.75	39-2214-HM	EO11/4KV4-DM0.75	39-2324-HM
5	EO11/4PPL5-DM1.0-B	39-2115-JMB	EO11/4CL5-DM1.0	39-2215-JM	EO11/4KV5-DM1.0	39-2325-JM



TABLE 2

To select a pump based on Chemical Resistance and temperature requirements, performance and specific gravity of solution to be pumped – Read the pump curves to establish impeller size then check Power curve for required HP/kW, choose pump and elastomer materials then construct pump model and code form table 2 below

SERIES		SIZE			MATERIAL			ELASTOMER		
MODEL	PRICE CODE	MODEL	PRICE CODE	IN/OUT	MODEL	PRICE CODE	MATERIAL	MODEL	PRICE CODE	MATERIAL
EO	39-	1	1	1.1/4 X 1	PP	1	Polypropylene	L	1	EPDM
		1.1/4	2	1.1/2 X 1.1/4	C	2	CPVC	V	2	Viton
					K	3	PVDF			

IMPELLER/FLOW CURVE		
MODEL	PRICE CODE	DESCRIPTION / DIAMETER
1	1	2.3/4" in EO1
3	3	3" in EO1
4	4	3.1/4" in EO1.1/4
5	5	4" in EO1.1/4

1 PHASE 50 Hz METRIC MOTOR			3 PHASE 50/60 HZ METRIC MOTOR		
TEFC, IP55. Cast Iron			TEFC, IP55. Cast Iron		
MODEL	PRICE CODE	Kw(HP)	MODEL	PRICE CODE	kW(HP)
CM0.5	BM	0.37(0.5)	DM0.5	GM	0.37(0.5)
CM0.75	CM	0.55(0.75)	DM0.75	HM	0.55(0.75)
CM1.0	DM	0.75(1.0)	DM1,0	JM	0.75(1.0)
CM1.5	EM	1.1 (1.5)	DM1.5	KM	1.1 (1.5)

OPTIONAL EQUIPMENT

Description	EO1		EO1.1/4	
	DETAIL	price code	DETAIL	price code
DISCHARGE PIPE ASSEMBLY TERMINATING WITH SOCKET UNION ABOVE PLATE	PP - 32mm	01-8901-PP	PP-40mm	01-8902-PP
	CPVC-32mm	01-8901-C	CPVC-40mm	01-8902-C
	PVDF 32mm	01-8901-K	PVDF-40mm	01-8902-K
DISCHARGE PIPE ASSEMBLY TERMINATING WITH MALE THREAD ABOVE PLATE	PP-1" BSP	39-1001-PP-B	PP-1.1/4" BSP	39-2001-PP-B
	CPVC-1"BSP	39-1001-C-B	CPVC-1.1/4" BSP	39-2001-C-B
	PVDF-1"NPT	39-1000-K	PVDF-11/2"NPT	39-2000-K
18" SUCTION EXTENSION	PP - 40mm	01-8903-PP	PP - 50mm	01-8904-PP
	CPVC-40mm	01-8903-C	CPVC-50mm	01-8904-C
	PVDF-1.1/4"	39-1004-K	PVDF-1.1/2"	39-2004-K
SUCTION STRAINER	PE/PP	39-1002-PP	PE/PP	39-2002-PP
	PE/CPVC	39-1002-C	PE/CPVC	39-2002-C
	PVDF/ECTFE	39-1003-K	PVDF/ECTFE	39-2003-K

For PVDF impeller in CPVC pump then add - K to Model and Price Code



SERFILCO® INTERNATIONAL

Siemens Road, Northbank Industrial Estate
 Irlam , Manchester
 M44 5AH UK
 Email : sales@serfilco-international.com

Tel: +44 161 775 1910
 Fax: +44 161 775 3696
 Web: www.serfilco.com