



# SERFILCO®

## INTERNATIONAL LTD



### SUPER SPACE-SAVER 'FM' FILTRATION SYSTEMS



#### Benefits

- **Seal-less magnetic drive pumps**  
systems feature highly efficient seal-less magnetic coupled pumps for total solution containment and reliable performance.
- **Filter chamber**  
Constructed of PP to ensure chemical and temperature compatibility in a wide range of applications. The standard chamber accepts double open end (DOE) cartridges, or filter papers depending on the application
- **Simple carbon or spaghetti treatment**  
These systems are also available with optional purification chambers reusable canister offering a low-cost, but effective method of continuously or periodically removing organic impurities from plating baths and other chemical solutions. Slurry tanks are available for disk systems.

The FM Series is engineered to provide reliable, high performance filtration in a small package. These compact pump and filter systems are popular for use on medium to large size tank production in GMF, POP, electronics, painting and anodising industries

Featuring the non-metallic, leak-proof magnetic coupled pumps and machined FM filter chambers, these systems provide high flow and high turnover rates, assuring continuous particle removal. 'FM' systems are available with an additional bypass carbon or resin purification chamber.

# SUPER SPACE-SAVER 'FM' ORDERING INFORMATION

System Number	Flow Rate (m <sup>3</sup> /hr)	Motor (Kw)	Materials	Media	Connections (mm)
<b>Cartridge Systems</b>					
PPFM30SG31(122)-DM2.2	25	1.5	PP/EPDM	15 x 20"	75 x 63
PPFM45SG31(122)-DM2.2				15 x 30"	
PPFM30SG31(134)-DM3.0	30	2.2		15 x 20"	
PPFM45SG31(134)-DM3.0				15 x 30"	
PPFM30SG40(140)-DM4.0	35	3		15 x 20"	90 x 63
PPFM45SG40(140)-DM4.0				15 x 30"	
<b>Disk Systems</b>					
PPFMD22SG31(122)-DM2.2	20	1.5	PP/EPDM	30 x 300-50	75 x 63
PPFMD33SG31(122)-DM2.2				45 x 300-50	
PPFMD22SG31(134)-DM3.0	25	2.2		30 x 300-50	
PPFMD33SG31(134)-DM3.0				45 x 300-50	
PPFMD22SG40(140)-DM4.0	30	3		30 x 300-50	90 x 63
PPFMD33SG40(140)-DM4.0				45 x 300-50	

Flow rates published are obtained with systems tested on water and installed with recommended 1 x oversized suction and discharge pipework, on site flow rates may vary depending on liquid pumped and installation.

Motors are standard Metric IEC 380-420/3/50 TEFC IE3 2900rpm

## Options

<b>Options</b>	
Bypass Carbon Chamber (3.0kg)	Add -CCJM
Slurry Tank (70L)	Add - SL
Viton O-Rings	Add - V

## Accessories

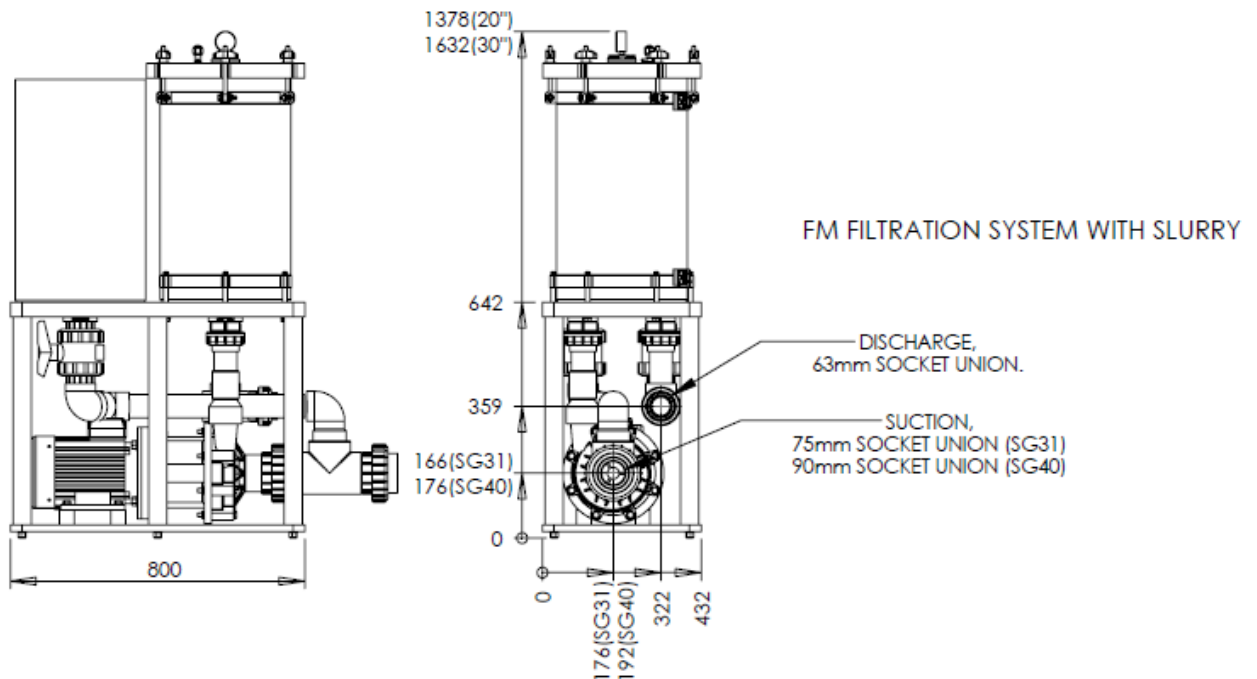
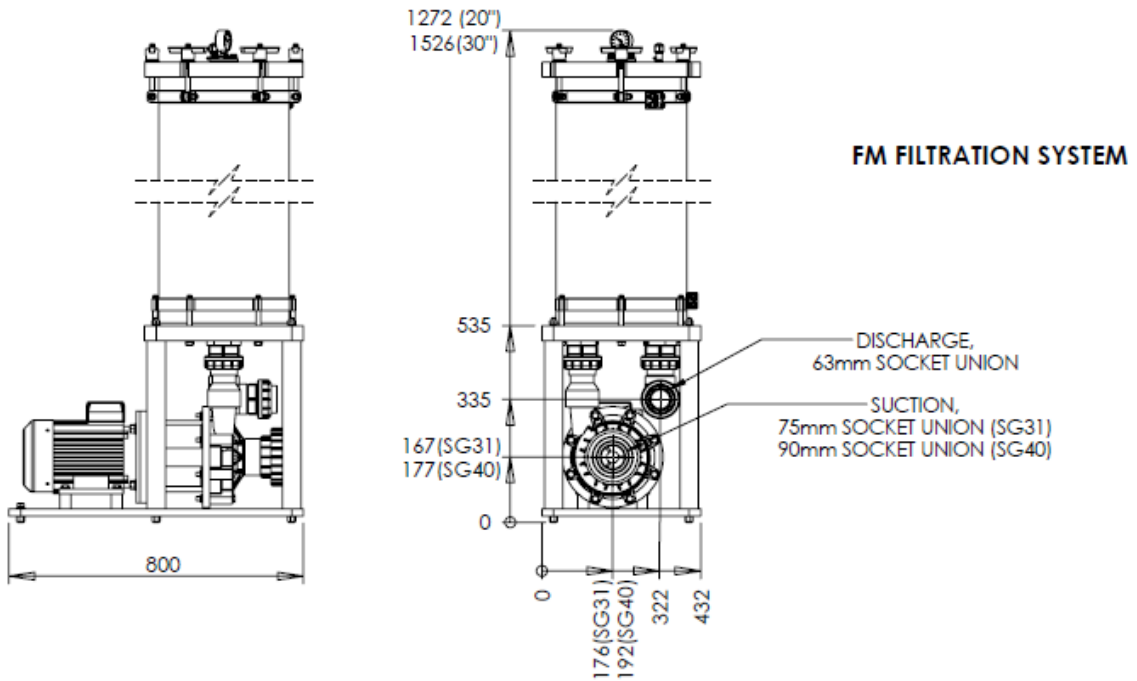
Additional Equipment	Code
Drain Valve Kit 63mm	01-3680-63
P-10 Pump Protector	99-1170
Isolation Valve 63mm	01-3624-63
Isolation Valve 75mm	01-3624-75
Isolation Valve 90mm	01-3624-90

## Standard Features

- Series FM machined PP chamber for cartridge or disk
- Corrosion resistant PP 4-Pillar base
- EPDM Elastomers
- SG Series Magnetic Coupled Pump (PP/Alumina Ceramic/Graflon)
- Stainless Steel External Fasteners
- PP Vent Valve
- Pressure Gauge Guard Assembly
- Union Connections

Filter media ordered separately, please contact the sales office with your application details

# SUPER SPACE-SAVER 'FM' DIMENSIONS



# SERFILCO FILTRATION RANGE

Visit [www.serfilco.com](http://www.serfilco.com) to see our full range of products

**LABMASTER** – 0.5 to 2.5m<sup>3</sup>/h, 1 x cartridge, mag-drive pump, PP/CPVC/PVDF

**SPACE-SAVER** – 2.5 to 20m<sup>3</sup>/h, 3 or 6 cartridge, 200mm disk or 7" filter bag, mag-drive pump, optional by-pass carbon & slurry PP/CPVC/PVDF

**SUPER SPACE-SAVER**– 20 to 35m<sup>3</sup>/h, 12 or 15 cartridge , 7" filter bag or 300mm disk filter, mag-drive or mechanical seal pump, optional by-pass carbon & slurry PP/CPVC/PVDF

**MEGAFLO** – 40 to 65m<sup>3</sup>/h, 22/26 cartridge or disk, mag-drive or mechanical seal pump, optional by-pass carbon & slurry, PP/CPVC/PVC

**GUARDIAN** – 45m<sup>3</sup>/h, cartridge, bag or disk filtration, mag-drive or mechanical seal pump, optional slurry tank and by-pass carbon PP/CPVC/PVDF/Steel

**OPTIFLO** – 120m<sup>3</sup>/h, cartridge or disk filtration, mag-drive or mechanical seal pump, optional slurry and bypass carbon

**ADMIRAL** – 26m<sup>3</sup>/h, in-tank or out-of –tank cartridge filtration, vertical seal-less pump, optional bypass carbon

**TITAN** – 10-45m<sup>3</sup>/h , fully automatic operation, quartz or anthracite permanent media, horizontal sealed pump,

SERFILCO INTERNATIONAL LTD  
Siemens Road, Manchester, UK  
+44 (0)161 775 1910  
[global@serfilco.com](mailto:global@serfilco.com)

Distributor