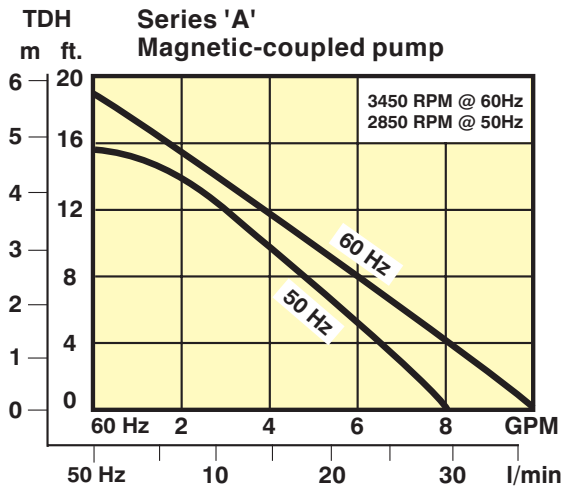




KEEP PROCESS FLUIDS CLEAN For Tanks to 100 Gallons



COMPACT, ECONOMICAL & DEPENDABLE FILTRATION



- **Non-metallic solution contact**
Select materials of construction for compatibility with solutions, operating temperature and pressure.

PCL - Clear PVC (Polyvinyl Chloride) with PP (Polypropylene) pump

PPL - Polypropylene

CL - CPVC - Chlorinated Polyvinyl Chloride

KL - PVDF - Polyvinylidene Fluoride

- **Flow rate 345 GPH @ 60 Hz**

LABMASTER FILTRATION SYSTEM Specifications and Ordering Information

LABMASTER Filtration Systems are compact, corrosion resistant and extremely simple to operate. Choice of construction materials allows use with most liquids, including harsh chemicals at elevated temperatures.

Seal-less Magnetic-Coupled Pump

Systems utilize Series 'A' magnetic-coupled pumps and are available in a variety of engineered plastics to suit chemistry and temperature, including PP, CPVC and PVDF.

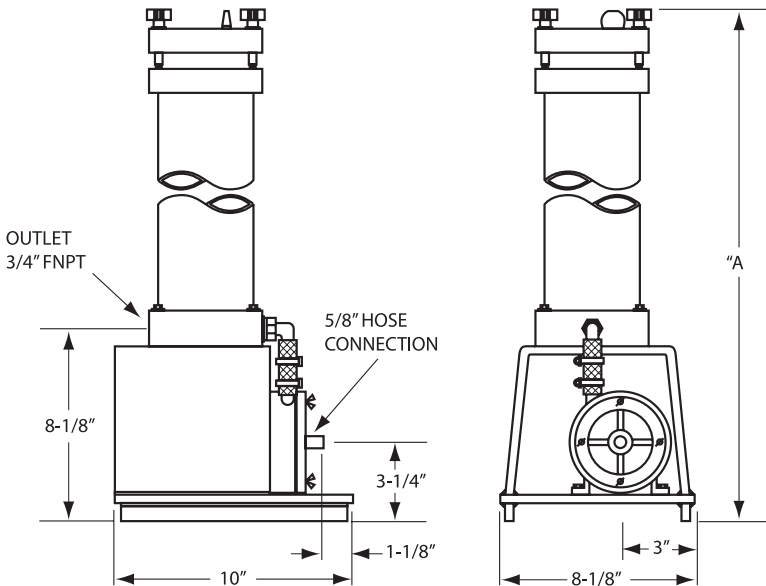
Filter Chamber

Choice of 10", 20" or 30" size chamber. Constructed of clear PVC, PP, CPVC or PVDF. Standard elastomers are EPDM (FKM with PVDF). Chambers accept depth wound, pleated, cleanable sleeve and carbon cartridges.

TO ORDER

| LABMASTER SYSTEM NO. | | | | FLOW RATE U.S. GPH | MEDIA | SOLIDS AREA Sq. Ft. | "A" DIM. Inches | SHIPPING WEIGHT Lbs. |
|----------------------|--------|-------|-------|-----------------------|---------|------------------------|--------------------------------|-------------------------|
| PCL | PPL | CL | KL | | | | | |
| PCL1A6 | PPL1A6 | CL1A6 | KL1A6 | 345 | 1 - 10" | 3.5 | 21 ³ / ₄ | 23 |
| PCL2A6 | PPL2A6 | CL2A6 | KL2A6 | 345 | 2 - 10" | 7.0 | 31 ³ / ₄ | 30 |
| PCL3A6 | PPL3A6 | CL3A6 | KL3A6 | 345 | 3 - 10" | 10.5 | 41 ³ / ₄ | 37 |

DIMENSIONS



OPTIONAL

| DESCRIPTION | ADD TO SYSTEM NO. |
|---|--------------------------------|
| Viton elastomers on filter chamber and pump | V |
| Optional motor 230V/1/50-60 | change 6 to 5 in system number |

| DESCRIPTION | PRICE CODE NO. |
|---|----------------------------------|
| Hose Kit (Includes priming kit) | PVC & CPVC 99-1600 PP 99-1601 |
| Priming kit | 99-0160 |
| Filter Media - order separately. Refer to Bulletin M-109 (cartridge and sleeves) or M-305 (carbon). | |

F.O.B. Northbrook, Illinois

Specifications subject to change without notice.

DISTRIBUTED BY



SERFILCO[®], LTD.

2900 MacArthur Blvd. 847-509-2900
Northbrook, IL 60062-2005 U.S.A. 800-323-5431
e-mail: sales@serfilco.com FAX: 847-559-1141
www.serfilco.com