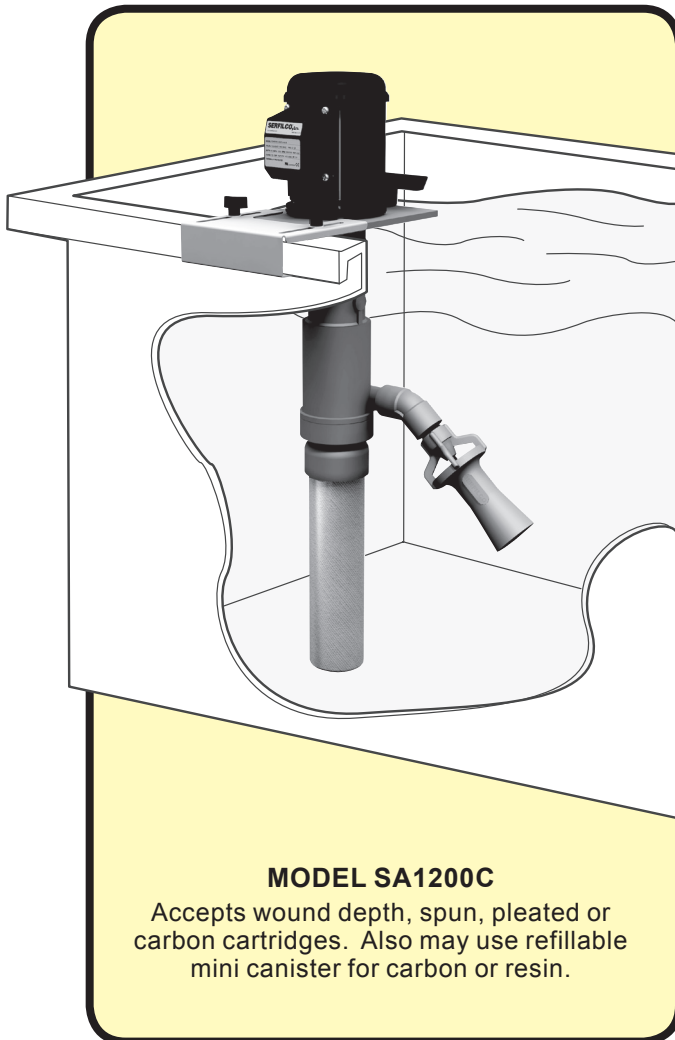




## FILTRATION OR PURIFICATION WITH HIGH AGITATION FOR SMALL, MEDIUM AND LARGE TANKS



### MODEL SA1200C

Accepts wound depth, spun, pleated or carbon cartridges. Also may use refillable mini canister for carbon or resin.

- **Non-metallic solution contact**  
CPVC or polypropylene construction.  
(See a chemical resistance chart)
- **Polypropylene discharge eductor**  
Provides high rate of agitation with filtration.
- **High filtration rate without eductor**  
Flows to 2,500 GPH @ 60 Hz (7800 LPH @ 50 Hz)
- **In-tank filtration**  
No floorspace required  
Leakproof
- **Easy cartridge change**
- **Vertical cantilever pump**  
Seal less  
Runs dry

The **Sub-Admiral Filter System** is supplied with an eductor to create additional circulation without requiring a larger pump or more horsepower. One GPM of filter discharge through the eductor nozzle induces an additional four GPM of solution through the eductor. With aggressive agitation and filtration, most processes will operate more efficiently and provide greater consistency in quality. The Sub-Admiral System may also be configured without the eductor to achieve a maximum filtration rate.

The **Sub-Admiral Filter System** includes a seal-less cantilever pump, eductor and suction extension and is field serviceable. Pump has no bearings and thus can run dry. May also be used for transferring liquids with or without the filter.



**GENERAL SPECIFICATIONS**

The **Sub-Admiral In-Tank Filtration Systems** feature a pump with a cantilevered, sleeved stainless steel shaft which eliminates bearings and seals, resulting in a pump that can run dry without damage. A vapor seal between the rotating shaft and the support column helps protect the motor. The mounting plate has the pump mounted off-center to allow clearance when mounting to the tank flange.

Standard models constructed of CPVC or polypropylene, for non-metallic solution contact.

Standard elastomers are EPDM. Most models feature pump motors that are chemical duty design. Eductors are molded of polypropylene and threaded to the pump discharge port. They provide 5 gallons of clean agitation for each gallon discharged from the pump.

All systems are provided with mounting bracket and handle for easy installation and removal.

<b>MODEL SA1200 Model EO 3/4 Pump - Single Column</b>						
SYSTEM NUMBER	MODEL	MATERIAL	LENGTH		SHIP WT.	
			w/ 10"	w/ 20"	Lbs.	Kg
C11EO	SA1200C	CPVC & EPDM	20"	30"	11	5
PP11EO	SA1200PP	PP & EPDM				
K11EO	SA1200K	PVDF & EPDM				

<b>MODEL SA3000 Model EO 1 Pump - Twin Column</b>						
SYSTEM NUMBER	MODEL	MATERIAL	LENGTH		SHIP WT.	
			w/ 10"	w/ 20"	Lbs.	Kg
C21EO	SA3000C	CPVC & EPDM	27"	37"	31	16.4
PP21EO	SA3000PP	PP & EPDM				
K21EO	SA3000K	PVDF & EPDM				

All motors are 115/203V/1/50-60

For Viton "O"-ring add -V to System Number.

\* Lengths shown are from underside of mounting plate to bottom of cartridges.

Filter cartridges ordered seperately.  
See *Bulletin M-109* and *Bulletin M-305*

<b>PERFORMANCE</b>						
MODEL	HORSEPOWER	DISCHARGE NPT	NO CARTS	W/O EDUCTOR	WITH EDUCTOR	
				FILTER GPH	FILTER GPH	AGT GPH
SA1200	1/8	3/4"	1-20"	1200	650	3250
SA3000	1/3	1"	2-20"	2500	1350	6750