

**COMPACT, ECONOMICAL, FILTRATION AND
PURIFICATION OF CHEMICAL PROCESS
SOLUTIONS, CLEANERS, ETCHANTS AND RINSE
WATER**

- **Flow rates to 24,000 L/hr**
- **Non-metallic solution contact**
 - Hi Temperature Polypropylene
 - CPVC
- **Choice of pump** – magnetic coupled, single or double mechanical seal, or self priming available

Super Space-Saver Filtration systems have gained worldwide approval for re-circulatory filtration and purification of electroplating solutions.

Standard systems are highlighted below but for more bespoke requirements simply add any additional optional equipment to precisely meet your needs.

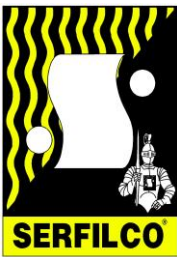
For advice regarding applications please contact sales

STANDARD SPECIFICATIONS

STANDARD SUPER - SPACE-SAVER SYSTEMS INCLUDE

Flow Rates to 24,000 L/hour
Magnetic Coupled or Mechanical Seal pump – (M8) or (M8 x M1)
Series "G" filter chamber with 12 cartridges 10" to 40"
Stainless Steel 0 - 30 psi pressure gauge
PP or CPVC Vent Valve
Initial fill of cartridges

Corrosion Resistant four pillar base
CPVC or PP Construction
EPDM elastomers with CPVC and PP, Viton optional
Stainless Steel external fasteners
Drain Valve
3 phase IP 55, IE2, TEFC 380/420Volt 50 Hz Metric Motor

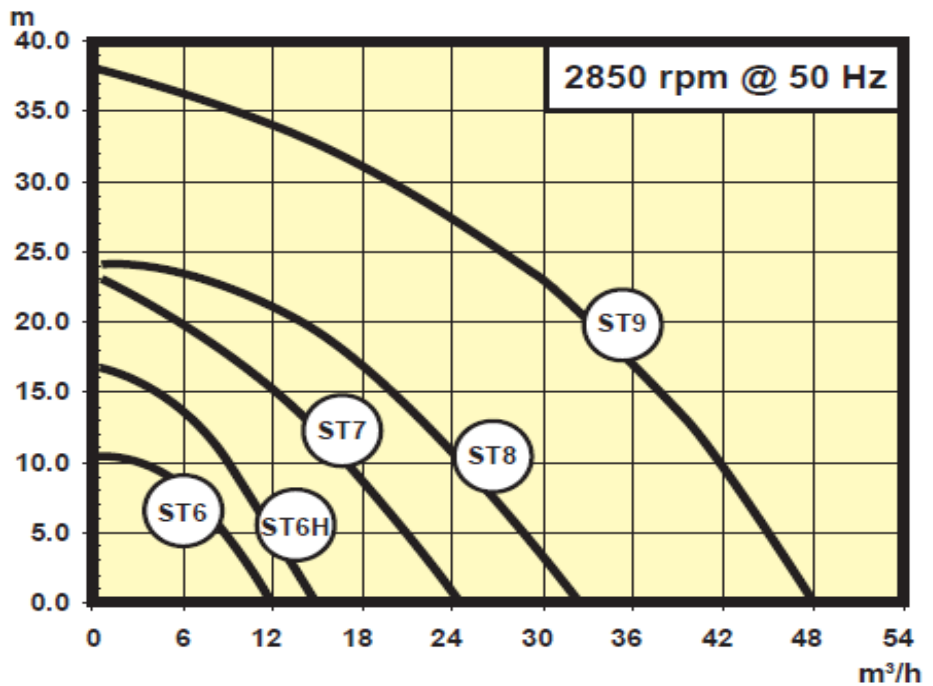


SUPER SPACE-SAVER FILTRATION AND PURIFICATION SYSTEMS

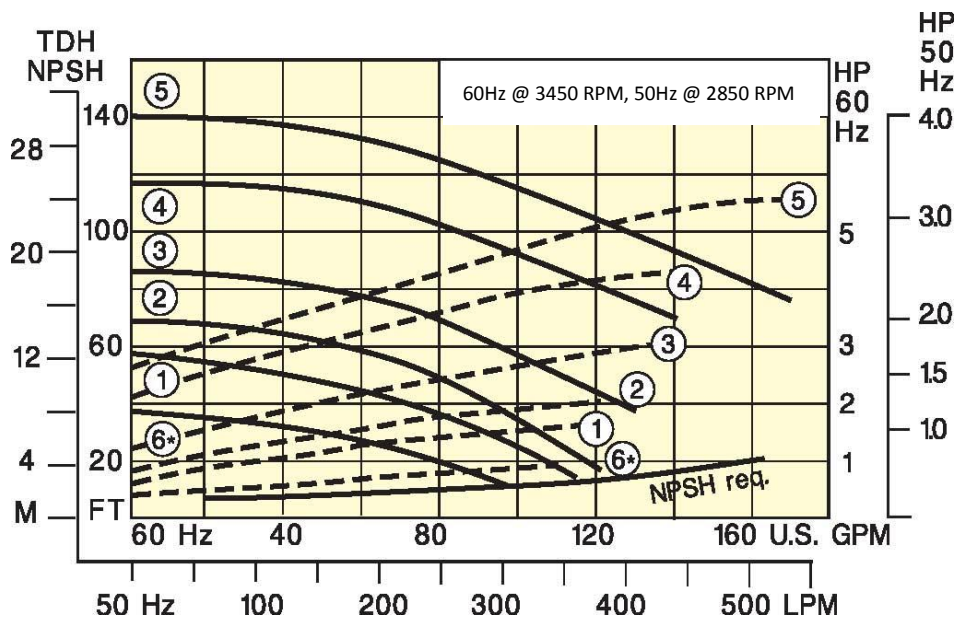
Flow Curves and ordering information

BULLETIN
F-205-1
Jan 2013

Flow Curves for **ST** Magnetic Couple Pumps used for *Super Space-Savers*



Flow Curves for **HE** single or double mechanical seal pumps used for *Super Space-Savers*



SYSTEMS WITH HE SERIES MECHANICAL SEAL PUMPS					
Flow Rate	Cartridges	Kw	MODEL NUMBERS		Inlet x Outlet
			PP	CPVC	
13,000 l/hr	20"	1.5	PPG24HE2DM2.0	CG24HE2DM2.0	63mm x 50mm Socket Union
	30"		PPG36HE2DM2.0	CG36HE2DM2.0	
17,000 l/hr	20"	1.5	PPG24HE3DM2.0	CG24HE3DM2.0	63mm x 50mm Socket Union
	30"		PPG36HE3DM2.0	CG36HE3DM2.0	
20,000 l/hr	20"	2.2	PPG24HE4DM3.0	CG24HE4DM3.0	63mm x 50mm Socket Union
	30"		PPG36HE4DM3.0	CG36HE4DM3.0	
24,000 l/hr	20"	3.0	PPG24HE5DM4.0	CG24HE5DM4.0	63mm x 50mm Socket Union
	30"		PPG36HE5DM4.0	CG36HE5DM4.0	



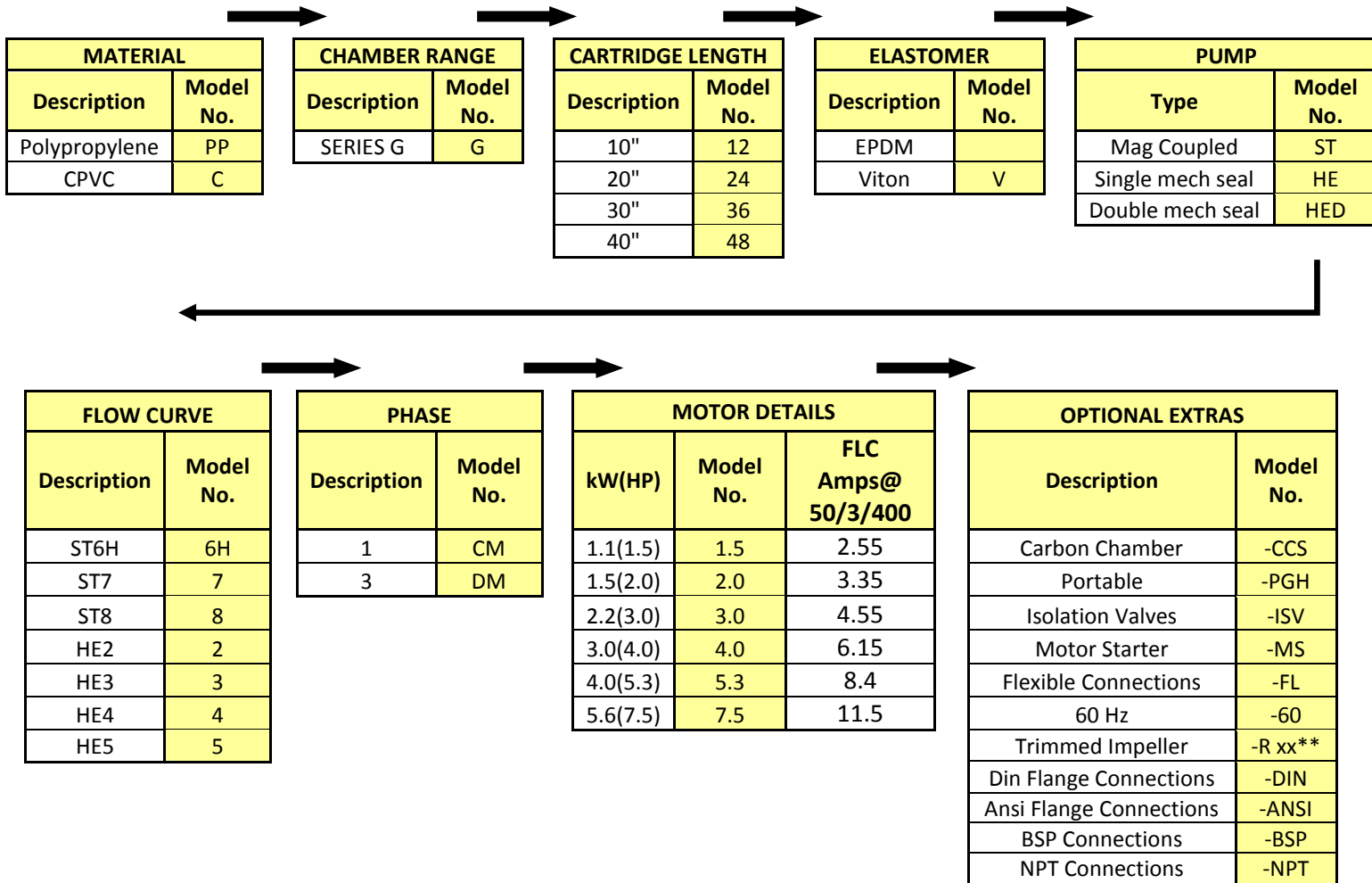
SUPERSPACE-SAVER FILTRATION AND PURIFICATION SYSTEMS

Ordering Information and Dimensions

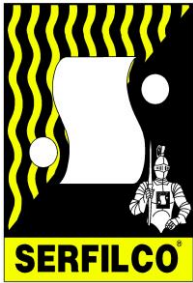
BULLETIN
F-205-1
Jan 2013

SYSTEMS WITH ST SERIES MAGNETIC COUPLED PUMPS					
Flow Rate	Cartridges	Kw	MODEL NUMBERS		Inlet x Outlet
			PP	CPVC	
13,000 l/hr	20"	1.1	PPG24ST6HDM1.5	CG24ST6HDM1.5	63mm x 50mm Socket Union
	30"		PPG36ST6HDM1.5	CG36ST6HDM1.5	
18,000 l/hr	20"	1.5	PPG24ST7DM2.0	CG24ST7DM2.0	63mm x 50mm Socket Union
	30"		PPG36ST7DM2.0	CG36ST7DM2.0	
24,000 l/hr	20"	2.2	PPG24ST8DM3.0	CG24ST8DM3.0	63mm x 50mm Socket Union
	30"		PPG36ST8DM3.0	CG36ST8DM3.0	

MODEL NUMBER MAP FOR BESPOKE SYSTEMS WITH OPTIONAL CARBON CHAMBERS AND OTHER ADDITIONAL ITEMS



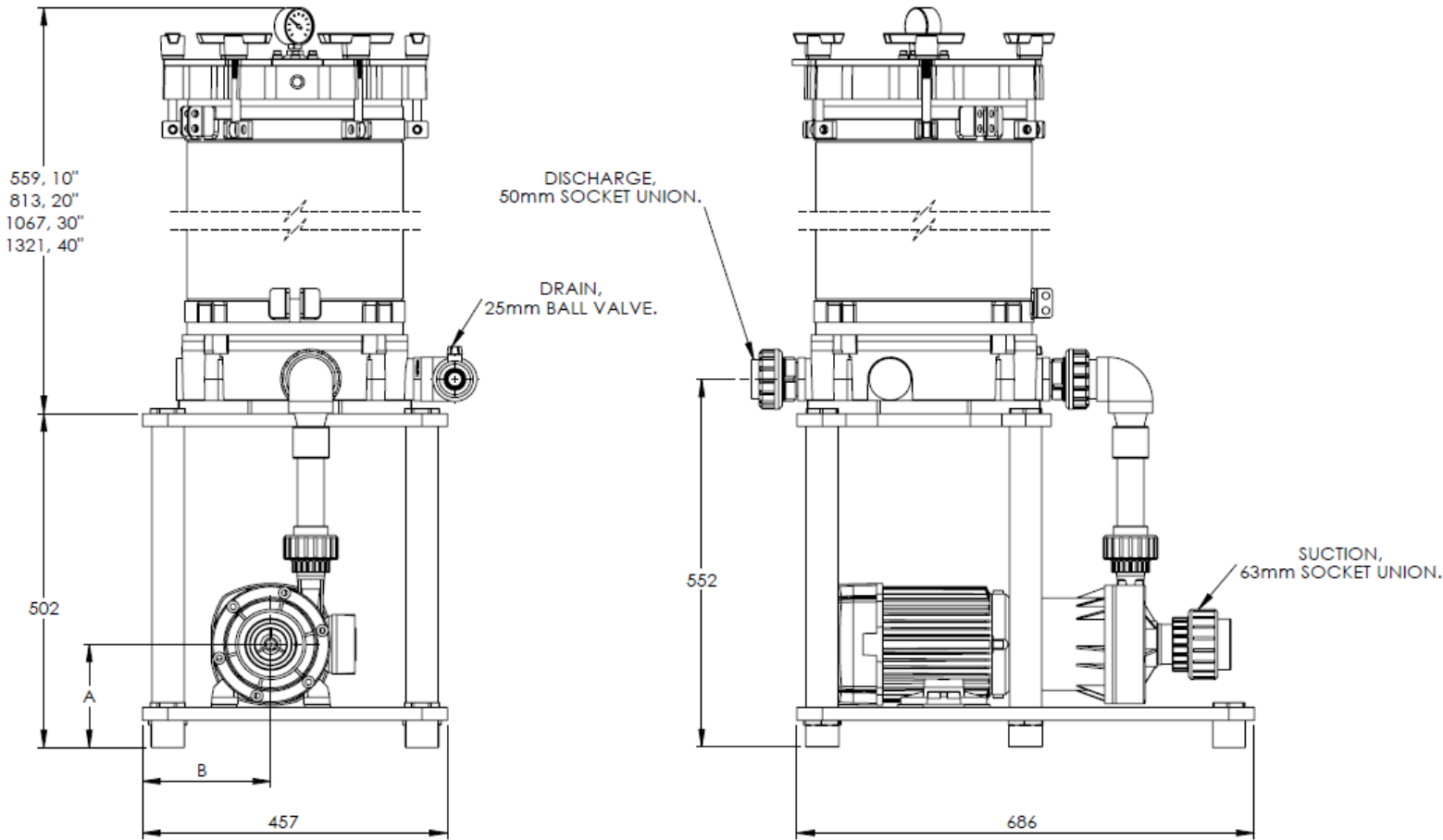
* Consult Sales office for Self-priming options
** Ask engineering for impeller diameter



SUPER-SPACE-SAVER FILTRATION AND PURIFICATION SYSTEMS

Dimensions

BULLETIN
F-205-1
Jan 2013



Pump	Dimensions (mm)	
	A	B
ST6H	163	172
ST7	173	172
ST8	173	172
HE2	173	162
HE3	173	162
HE4	183	162
HE5	195	162

REPLACEMENT MEDIA				
Density	Length	Premier Washed Wound	Polyspun	Polyserf Pleated
xx = micron rating	10"	xxPW10U	xxU10	PL-UxxU9.8U-B
	20"	xxPW20U	xxU20	PL-UxxU19.8U-B
	30"	xxPW30U	xxU30	PL-UxxU29.6U-B
	40"	xxPW40U	xxU40	PL-UxxU39.6U-B
Granular Activated Carbon(25KG) use Code No 99-0995-25				



SERFILCO® INTERNATIONAL

Siemens Road, Northbank Industrial Estate
 Irlam, Manchester
 M44 5AH UK
 Email : sales@serfilco-international.com

Tel: +44 161 775 1910
 Fax: +44 161 775 3696
 Web: www.serfilco.com