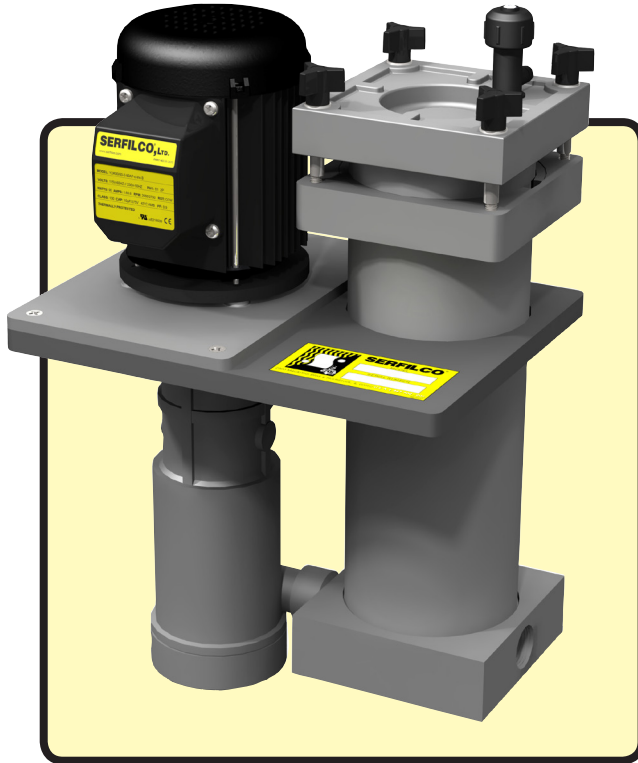
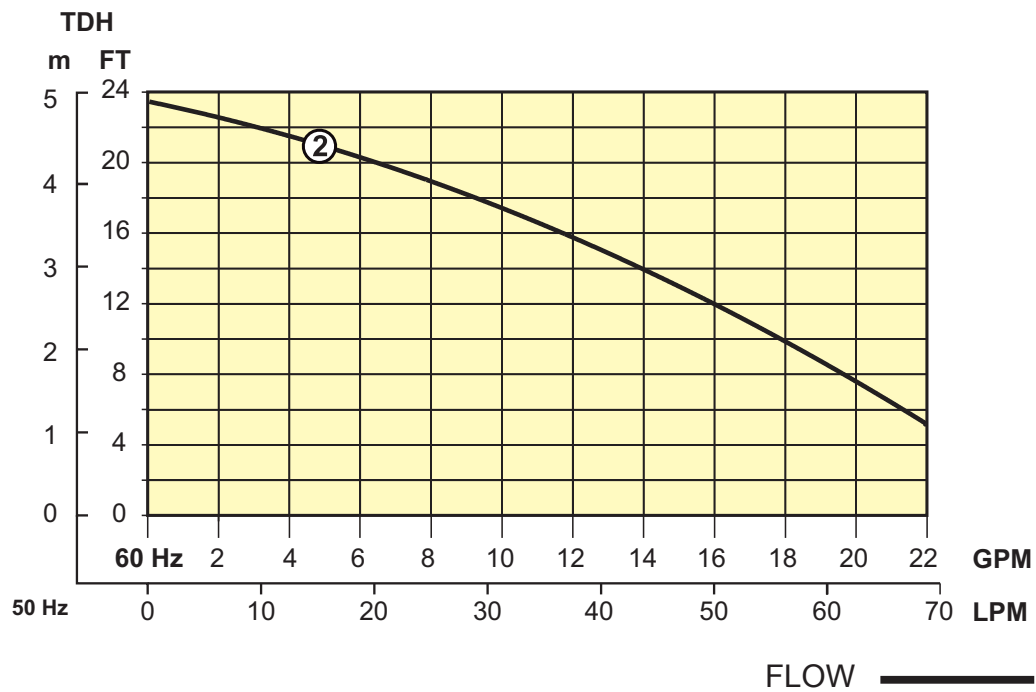




## For Acid, Aqueous or Alkaline Solutions



- **Flow rates to 1,000 GPH**
- **Non-metallic solution contact**  
Select materials of construction for compatibility with solutions, operating temperature and pressure.
- **PCL** - Clear PVC with CPVC pump  
**PPL** - Polypropylene  
**CL** - CPVC  
**KL** - PVDF  
EPDM elastomers standard Viton optional
- **Runs dry without damage**
- **Compact, lightweight**
- **For 10", 20", or 30" cartridge lengths**
- **For in-tank or out-of-tank mounting**



**SERFILCO — worldwide leader in service, dependability and design for over 50 years!**



**ADMIRAL 'EOL' Filtration Systems** consist of a vertical, dry-run capable pump and a single column filter chamber all mounted in a compact configuration using a common mounting plate.

**PUMP:**

The Series 'EO-3/4' pump is a vertical cantilever design without bearings or seals and can run dry without damage. Materials of construction are either CPVC, polypropylene or PVDF. The pump features a TFE vapor seal to protect the motor and a compound impeller which prevents liquid pumping up the column while providing efficient performance at low horsepower. Motors are 115-230V/1/50-60 Hz, TEFC with 8 ft. cord and plug.

**FILTER CHAMBER:**

Choice of 10", 20" or 30" size chamber. Constructed of clear PVC, PP, CPVC, or PVDF. Standard elastomers are EPDM (FKM with PVDF). Chambers accept depth wound, pleated, cleanable sleeve and carbon cartridges and requires no tools for cartridge changing.

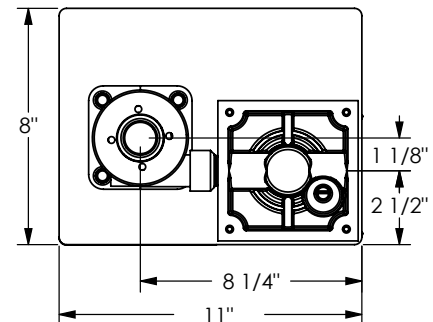
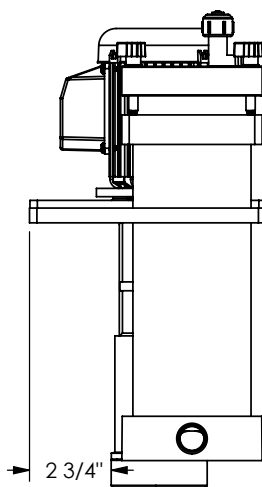
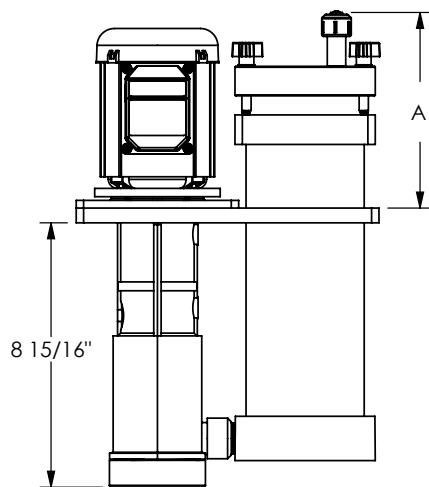
**TO ORDER, use System Number**

SYSTEM NUMBER				MEDIA <sup>1</sup> No - lgth.	DIM A. (Inches)	PUMP			CONNS.	SHIPPING WEIGHT (lbs.)
PVC	PP	CPVC	PVDF			MODEL	HP	MAX (U.S. GPH) *		
PL1EO	PPL1EO	CL1EO	KL1EO	1 - 10"	6 5/8"	EO 3/4	1/8	1000	1" X 3/4"	17
PL2EO	PPL2EO	CL2EO	KL2EO	1 - 20"	16 5/8"					19
PL3EO	PPL3EO	CL3EO	KL3EO	1 - 30"	26 5/8"					21

\* See flow curve

<sup>1</sup> Order filter media separately. Refer to Bulletin M-109.

OPTIONAL	ADD TO SYSTEM NO.
Viton® elastomers on filter chamber and pump	V



TOP VIEW