

COMPACT, HIGH FLOW, EFFICIENT AND DURABLE SYSTEMS DESIGNED TO HANDLE A VARIETY OF SOLUTIONS

METAL FINISHING, CHEMICAL, WATER AND WASTE TREATMENT, FUME SCRUBBER, COOLING TOWER RESERVOIR AND MORE!

- **Flow rates to 75,000 L/hr**
- **Non-metallic solution contact**
Hi Temperature Polypropylene
CPVC, UPVC.
- **Choice of pump** – magnetic coupled, single or double mechanical seal.
- **DURABLE** – The most rugged systems available on the market
- **High Dirt Holding Capacity up to 45m²**
- **Extended Change out Cycle compared to other types of systems**

MEGA-FLO Filtration Systems are compact, high flow, high capacity systems which are corrosion resistant, easy to install and simple to operate.

You can choose PVC, CPVC or PP high temperature polypropylene construction.

Systems are available with a single or double mechanical seal pump or with a magnetic coupled polypropylene pump to meet almost any application. Double seal pumps are recommended for use with solutions having ferrous metal particles, excessive abrasives and for solutions which crystallize when cooled. In addition, the double water flush seal pump is an excellent choice for applications requiring dry-run operation.

Filter chambers feature rugged machined construction with oversized ports for low pressure differential. Low pressure drop and high surface area (solids holding capacity) mean long periods of high flow, continuous dirt removal between cartridge changes.

Select a system which will provide approx 1 sqm of solids holding area per 400 l of solution. Flow rate should be 2 - 10 tank turnovers per hour. Coarse media and high flows are desirable for high dirt load applications. Increasing the number of cartridges reduces solution flow per cartridge, improves efficiency and reduces cartridge consumption.



MEGA-FLO FILTRATIONS SYSTEMS

SPECIFICATIONS AND ORDERING

BULLETIN
F-304-G-1
Feb 2012

STANDARD SPECIFICATIONS

STANDARD MEGA-FLO SYSTEMS INCLUDE

Flow Rates to 75,000 L/hour	Corrosion Resistant four pillar base
Magnetic Coupled or Mechanical Seal pump – (M8) or (M8 x M1)	CPVC, PVC or PP Construction
22 x cartridges in PP or 26 cartridges in PVC and CPVC	EPDM elastomers with CPVC and PP, Viton optional
Stainless Steel 0 - 60 psi pressure gauge	Stainless Steel external fasteners
PP or CPVC Vent Valve	Drain Valve
Screw Down Cartridge Guides and Caps	3 phase IP 55, IE2, TEFC 380/420Volt 50 Hz Metric Motor

POLYPROYLENE CHAMBER WITH MAGNETIC DRIVE OR SINGLE MECHANICAL SEAL PUMP

SYSTEM NUMBER	FLOW LPH@50Hz	MEDIA	PUMP		PUMP TYPE**	FLANGE CONNS.	DIMENSIONS (mm) LxWx H
			kW	FLC (amps)		SUCT. x DISCH.	
44 CARTRIDGE SYSTEMS (22 sqm max)*							
PPJ44ST7DM2.0	18,000	22- 20"	1.1	2.55	ST Mag	63mm X 90mm	762 x 610 x 1423
PPJ44ST8DM3.0	30,000	22- 20"	2.2	4.55	ST Mag	63mm X 90mm	762 x 610 x 1423
PPJ44ST9DM5.5	45,000	22- 20"	4	8.4	ST Mag	90mm X 90mm	762 x 610 x 1423
PPJ44HE5DM4.0	30,000	22- 20"	3	6.15	HE 5	90mm X 90mm	762 x 610 x 1423
PPJ44HF1DM5.5	45,000	22- 20"	4	8.4	HF 1	90mm X 90mm	762 x 610 x 1423
PPJ44HF2DM7.5	54,000	22- 20"	5.6	11.55	HF 2	90mm X 90mm	762 x 610 x 1423
PPJ44HF3DM10.0	65,000	22- 20"	7.5	15	HF 3	90mm X 90mm	762 x 610 x 1423
66 CARTRIDGE SYSTEMS (33 sqm max)*							
PPJ66ST7DM2.0	18,000	22- 30"	1.1	2.55	ST Mag	63mm X 90mm	762 x 610 x 1676
PPJ66ST8DM3.0	30,000	22- 30"	2.2	4.55	ST Mag	63mm X 90mm	762 x 610 x 1676
PPJ66ST9DM5.5	45,000	22- 30"	4	8.4	ST Mag	90mm X 90mm	762 x 610 x 1676
PPJ66HE5DM4.0	30,000	22- 30"	3	6.15	HE 5	90mm X 90mm	762 x 610 x 1676
PPJ66HF1DM5.5	45,000	22- 30"	4	8.4	HF 1	90mm X 90mm	762 x 610 x 1676
PPJ66HF2DM7.5	54,000	22- 30"	5.6	11.55	HF 2	90mm X 90mm	762 x 610 x 1676
PPJ66HF3DM10.0	65,000	22- 30"	7.5	15	HF 3	90mm X 90mm	762 x 610 x 1676
88 CARTRIDGE SYSTEMS (44sqm max)*							
PPJ88ST7DM2.0	18,000	22- 40"	1.1	2.55	ST Mag	63mm X 90mm	762 x 610 x 1930
PPJ88ST8DM3.0	30,000	22- 40"	2.2	4.55	ST Mag	63mm X 90mm	762 x 610 x 1930
PPJ88ST9DM5.5	45,000	22- 40"	4	8.4	ST Mag	90mm X 90mm	762 x 610 x 1930
PPJ88HE5DM4.0	30,000	22- 40"	3	6.15	HE 5	90mm X 90mm	762 x 610 x 1930
PPJ88HF1DM5.5	45,000	22- 40"	4	8.4	HF 1	90mm X 90mm	762 x 610 x 1930
PPJ88HF2DM7.5	54,000	22- 40"	5.6	11.55	HF 2	90mm X 90mm	762 x 610 x 1930
PPJ88HF3DM10.0	65,000	22- 40"	7.5	15	HF 3	90mm X 90mm	762 x 610 x 1930

* sqm is square meters of surface area or solids holding capacity using POLyserf Pleated filter cartridges. (See Bulletin M-109.) Order cartridges separately.

** To order double seal pump, change HE to HED or HF to HFD in Price Code Number.



MEGA-FLO FILTRATIONS SYSTEMS

SPECIFICATIONS AND ORDERING

BULLETIN
F-304-G-1
Feb 2012

CPVC OR PVC CHAMBER WITH MAGNETIC DRIVE OR SINGLE MECHANICAL SEAL PUMP							
SYSTEM NUMBER	FLOW LPH@50Hz	MEDIA	PUMP		PUMP TYPE	FLANGE CONNS.	DIMENSIONS(mm) LxWx H
			kW	FLC (amps)		SUCT. x DISCH.	
52 CARTRIDGE SYSTEMS (26 sqm max)							
CJ52ST7DM2.0	18,000	26- 20"	1.1	2.55	ST Mag	63mm X 90mm	762 x 610 x 1423
CJ52ST8DM3.0	30,000	26- 20"	2.2	4.55	ST Mag	63mm X 90mm	762 x 610 x 1423
CJ52ST9DM5.5	45,000	26- 20"	4	8.4	ST Mag	90mm X 90mm	762 x 610 x 1423
CJ52HE5DM4.0	30,000	26- 20"	3	6.15	HE 5	90mm X 90mm	762 x 610 x 1423
CJ52HF1DM5.5	45,000	26- 20"	4	8.4	HF 1	90mm X 90mm	762 x 610 x 1423
CJ52HF2DM7.5	54,000	26- 20"	5.6	11.55	HF 2	90mm X 90mm	762 x 610 x 1423
CJ52HF3DM10.0	65,000	26- 20"	7.5	15	HF 3	90mm X 90mm	762 x 610 x 1423
78 CARTRIDGE SYSTEMS (39 sqm max)							
CJ78ST7DM2.0	18,000	26- 30"	1.1	2.55	ST Mag	63mm X 90mm	762 x 610 x 1676
CJ78ST8DM3.0	30,000	26- 30"	2.2	4.55	ST Mag	63mm X 90mm	762 x 610 x 1676
CJ78ST9DM5.5	45,000	26- 30"	4	8.4	ST Mag	90mm X 90mm	762 x 610 x 1676
CJ78HE5DM4.0	30,000	26- 30"	3	6.15	HE 5	90mm X 90mm	762 x 610 x 1676
CJ78HF1DM5.5	45,000	26- 30"	4	8.4	HF 1	90mm X 90mm	762 x 610 x 1676
CJ78HF2DM7.5	54,000	26- 30"	5.6	11.55	HF 2	90mm X 90mm	762 x 610 x 1676
CJ78HF3DM10.0	65,000	26- 30"	7.5	15	HF 3	90mm X 90mm	762 x 610 x 1676
104 CARTRIDGE SYSTEMS (52 sqm max)							
CJ104ST7DM2.0	18,000	26- 40"	1.1	2.55	ST Mag	63mm X 90mm	762 x 610 x 1930
CJ104ST8DM3.0	30,000	26- 40"	2.2	4.55	ST Mag	63mm X 90mm	762 x 610 x 1930
CJ104ST9DM5.5	45,000	26- 40"	4	8.4	ST Mag	90mm X 90mm	762 x 610 x 1930
CJ104HE5DM4.0	30,000	26- 40"	3	6.15	HE 5	90mm X 90mm	762 x 610 x 1930
CJ104HF1DM5.5	45,000	26- 40"	4	8.4	HF 1	90mm X 90mm	762 x 610 x 1930
CJ104HF2DM7.5	54,000	26- 40"	5.6	11.55	HF 2	90mm X 90mm	762 x 610 x 1930
CJ104HF3DM10.0	65,000	26- 40"	7.5	15	HF 3	90mm X 90mm	762 x 610 x 1930
130 CARTRIDGE SYSTEMS (65 sqm max)							
CJ130ST7DM2.0	18,000	26- 50"	1.1	2.55	ST Mag	63mm X 90mm	762 x 610 x 2184
CJ130ST8DM3.0	30,000	26- 50"	2.2	4.55	ST Mag	63mm X 90mm	762 x 610 x 2184
CJ130ST9DM5.5	45,000	26- 50"	4	8.4	ST Mag	90mm X 90mm	762 x 610 x 2184
CJ130HE5DM4.0	30,000	26- 50"	3	6.15	HE 5	90mm X 90mm	762 x 610 x 2184
CJ130HF1DM5.5	45,000	26- 50"	4	8.4	HF 1	90mm X 90mm	762 x 610 x 2184
CJ130HF2DM7.5	54,000	26- 50"	5.6	11.55	HF 2	90mm X 90mm	762 x 610 x 2184
CJ130HF3DM10.0	65,000	26- 50"	7.5	15	HF 3	90mm X 90mm	762 x 610 x 2184

Listed systems include CPVC chamber. To order system with PVC chamber-change **C to P** in system number

* sqm is square meters of surface area or solids holding capacity using Polyserf Pleated filter cartridges. See Bulletin M-109. Order cartridges separately.

** To order double seal pump, change HE to HED or HF to HFD in Price Code Number.

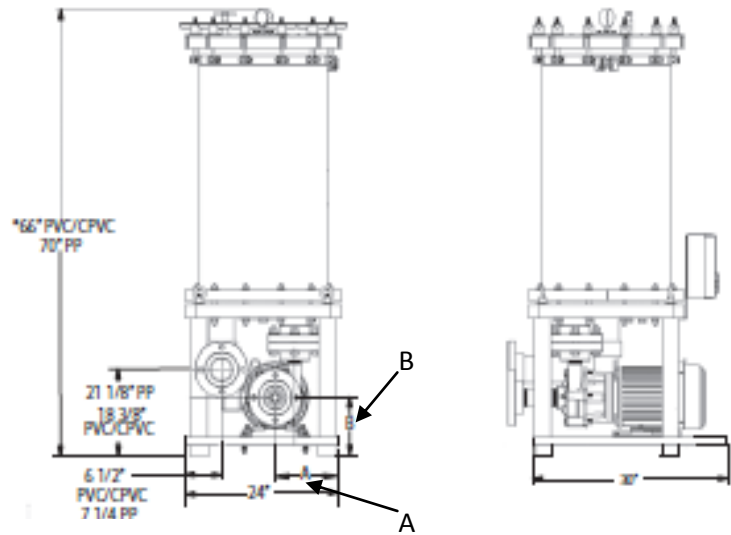


MEGA-FLO FILTRATIONS SYSTEMS

SPECIFICATIONS AND ORDERING

BULLETIN
F-304-G-1
Feb 2012

DIMENSIONS (mm)		
Pump/kW	A	B
ST7/1.5	173	172
ST8/2.2	173	172
ST9/4.0	242	222
HE5/3.0	311	203
HF1/4.0	242	222
HF2/5.6	242	222
HF3/7.5	242	222
Overall Height(mm)		
Material	PP	PVC/CPVC
20" Chamber	1524	1422
30" Chamber	1778	1676
40" Chamber	2032	1930
50" Chamber	2286	2184

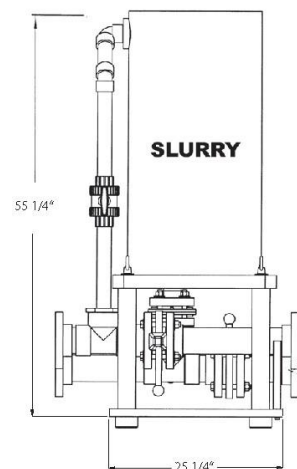
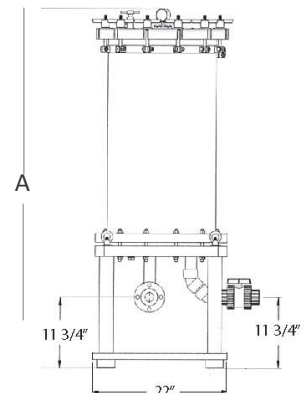


OPTIONS

Carbon Purification Chambers: Providing a convenient, economical and efficient means of continuous or periodic organic removal, these chambers feature PVC, CPVC or polypropylene construction for bulk granular carbon. PVC chamber has PVC internal canisters while CPVC and PP chambers have polypropylene canisters. Chambers include flow control valve, EPDM Elastomers and all piping. Order carbon separately (See Bulletin M-305).

OPTIONAL CARBON CHAMBERS							
CARBON CAPACITY	FLOW RATE	CANISTERS		ADD TO SYSTEM CODE			A
		Number	Size(mm) ⁴	PVC	CPVC	ppp	
KG	LPM ³						
9 ¹	38	3	127 X711	-CCGP	-CCGC	-CCGPP	1036
21 ²	87	7	127 X711	-CCMFP	-CCMFC	-CCMFPP	1518
¹	Chamber Mounted on MEGA-FLO base add 406 mm						
²	Stand alone component as shown						
³	Maximum recommended flow rate LPM						
⁴	PP canisters have 15% less Carbon						

Slurry Tank: Useful for chemical mixing / additions, precoating or pump priming, this chamber is constructed of PVC, CPVC or polypropylene and has a 30 gallon capacity. Includes 4 valves and all necessary piping.



FOR USE WITH PUMP TYPE:	MAXIMUM LIFT	Add to System Code		
		PVC	CPVC	PP
HE,ST or HF	1.2M	-SLP	-SLC	-SLPP

FO.B. Manchester England

Specifications subject to change without notice.

Registered Trademarks: Viton- DuPont Dow Elastomers



SERFILCO® INTERNATIONAL

Siemens Road, Northbank Industrial Estate
Irlam, Manchester
M44 5AH UK
Email: sales@serfilco-international.com

Tel: +44 161 775 1910
Fax: +44 161 775 3696
Web: www.serfilco.com