



SERFILCO®

INTERNATIONAL LTD



SPACE-SAVER 'HM' FILTRATION SYSTEMS



The HM Series is engineered to provide reliable, high performance filtration in a small package. These compact pump and filter systems are popular for use on small to medium size tank production in GMF, POP, electronics, painting and anodising industries

Pleated High Flow Filter Media

6" Pleated PP cartridge offer high flow rate & high dirt holding capacity, long service life & wide chemical compatibility. Double o-ring end cap and SOE design ensure no bypass and handle design makes for easier change out and install. Standard cartridge and disk also available

Seal-less magnetic drive pumps

Systems feature highly efficient seal-less magnetic coupled pumps for total solution containment and reliable performance.

Filter chamber Constructed of PP to ensure chemical and temperature compatibility in a wide range of applications. The standard chamber accepts a single 6" pleated cartridge or 4 double open end (DOE) cartridges depending on the application.

Simple carbon or spaghetti treatment

These systems are also available with optional purification chambers reusable canister offering a low-cost, but effective method of continuously or periodically removing organic impurities from plating baths and other chemical solutions.

Featuring non metallic, leak proof magnetic coupled pumps and machined PP filter chambers, HM systems provide high flow and high turnover rates, assuring continuous particle removal. 'HM' systems are available fitted with a bypass purification chamber.

SPACESAVER 'HM' ORDERING INFORMATION

To Order use System Number

System Number	Flow Rate M3/hr	Motor kW	Materials	Media	Connections
1 x HF 6" Cartridge					
PPHM1(20)SG10(70)DM0.5	5	0.37	PP/EPDM	1 x HF	40mm x 40mm
PPHM1(20)SG10(85)DM0.5	8	0.37	PP/EPDM	1 x HF	50mm x 40mm
PPHM1(20)SG10(98)DM0.75	11	0.55	PP/EPDM	1 x HF	50mm x 40mm
4 x DOE 2.5" Cartridge					
PPHM8SG10(70)DM0.5	5	0.37	PP/EPDM	4 x 20"	40mm x 40mm
PPHM8SG10(85)DM0.5	8	0.37	PP/EPDM	4 x 20"	50mm x 40mm
PPHM8SG10(98)DM0.75	11	0.55	PP/EPDM	4 x 20"	50mm x 40mm
Filter Disks (20" stack)					
PPHMD8(20)SG10(70)DM0.5	4	0.37	PP/EPDM	67 x 30mm/125mm	40mm x 40mm
PPHMD8(20)SG10(85)DM0.5	6.5	0.37	PP/EPDM	67 x 30mm/125mm	50mm x 40mm
PPHMD8(20)SG10(98)DM0.75	9	0.55	PP/EPDM	67 x 30mm/125mm	50mm x 40mm

Flow rates published are obtained with systems tested on water and installed with recommended 1 x oversized suction and discharge pipework, on site flow rates may vary depending on liquid pumped and installation. Motors are standard Metric IEC 380-420/3/50 TEFC IE3 2900rpm

Media & Options

Hi-Flow 6		
Code	Micron	Length
01HFU20U	1μ	20"
05HFU20U	5μ	
10HFU20U	10μ	

Maxi-Depth		
Code	Micron	Length
01U20U	1μ	20"
05U20U	5μ	
10U20U	10μ	

Purification		
Code	Type	Pack
99-0995-25	GAC	25KG
NS-7873	OILSORB	5KG
CU20P	CARBON	12

Papers		
Code	Weight	Size
01-1660	90gr	130-30
01-1661	150gr	

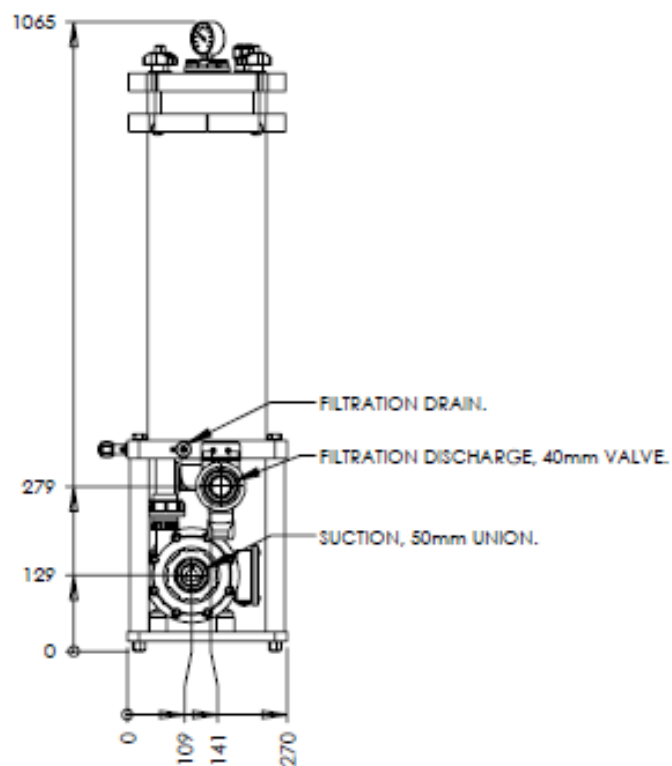
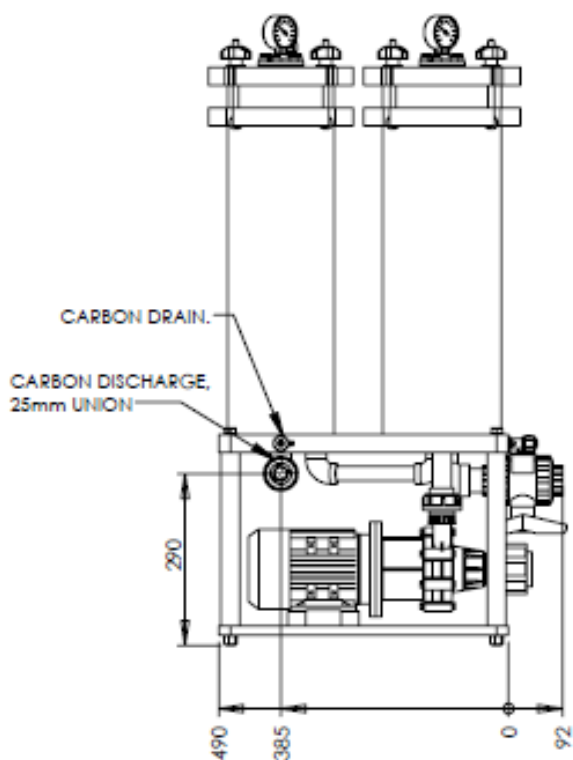
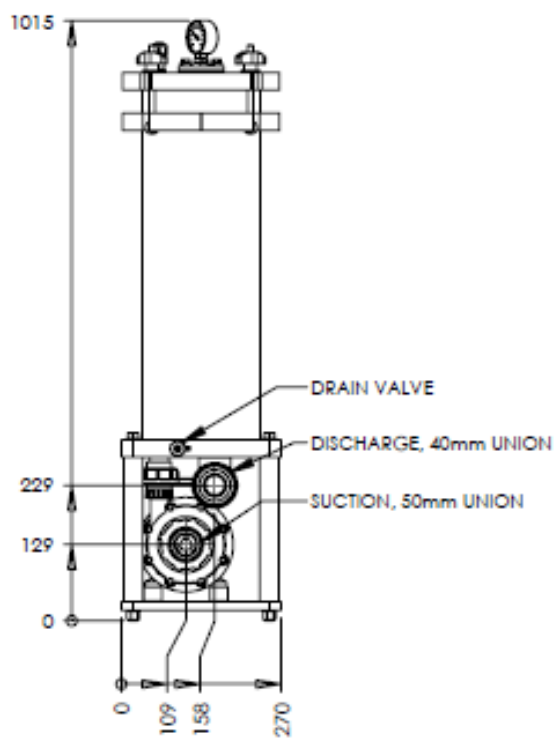
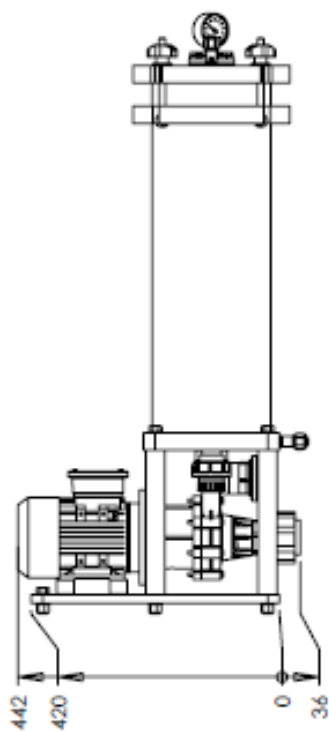
Options	
Bypass Chamber	Add -CCHM
Viton o-rings	Add -V
P-10 Pump Protector	99-1170

Standard Features

- Series HM machined PP chamber for 4 x DOE cartridge or 6" pleated high flow
- Corrosion resistant PP 4-Pillar base
- EPDM Elastomers
- SG Series Magnetic Coupled Pump (PP/Alumina Ceramic/Graflon)
- Stainless Steel External Fasteners
- PP Vent Valve
- Pressure Gauge Guard Assembly
- Union Connections

*Other filter media options available, please contact the sales office with your application details

SPACESAVER HM DIMENSIONS



SERFILCO FILTRATION RANGE

Visit www.serfilco.co.uk to see our full range of products

LABMASTER – 0.5 to 2.5m³/h, 1 x cartridge, mag-drive pump, PP/CPVC/PVDF

SPACE-SAVER (HM/JM) – 2.5 to 10m³/h, 3 x cartridge or filter bag, mag-drive pump, optional by-pass carbon PP/CPVC/PVDF

SUPER SPACE-SAVER (FM)– 10 to 35m³/h, 6 or 15 cartridge, filter bag or disk filter, mag-drive or mechanical seal pump PP/CPVC/PVDF

MEGAFLO – 30 to 65m³/h, 22 or 26 cartridge, mag-drive or mechanical seal pump, optional by-pass carbon PP/CPVC/PVC

GUARDIAN – 45m³/h, cartridge, bag or disk filtration, mag-drive or mechanical seal pump, optional slurry tank and by-pass carbon PP/CPVC/PVDF/Steel

OPTIFLO – 120m³/h, cartridge or disk filtration, mag-drive or mechanical seal pump, optional slurry and bypass carbon

ADMIRAL – 26m³/h, in-tank or out-of-tank cartridge filtration, vertical seal-less pump, optional bypass carbon

TITAN – 10-45m³/h, fully automatic operation, quartz or anthracite permanent media, horizontal sealed pump,

SERFILCO INTERNATIONAL LTD
Siemens Road, Manchester, UK
+44 (0)161 775 1910
sales@serfilco-international.com

Distributor