



# SERFILCO®

Chemical resistant pumps & filters engineered for industry

BULLETIN  
P-201\_W-GB  
09/01/2021  
Page 1 of 2

## SERIES 'HE' | HORIZONTAL PUMPS

175 U.S. GPM or 140 ft. TDH @ 60 Hz

EPDM or FKM elastomers

Motor (1.0-7.5 HP)  
NEMA JM

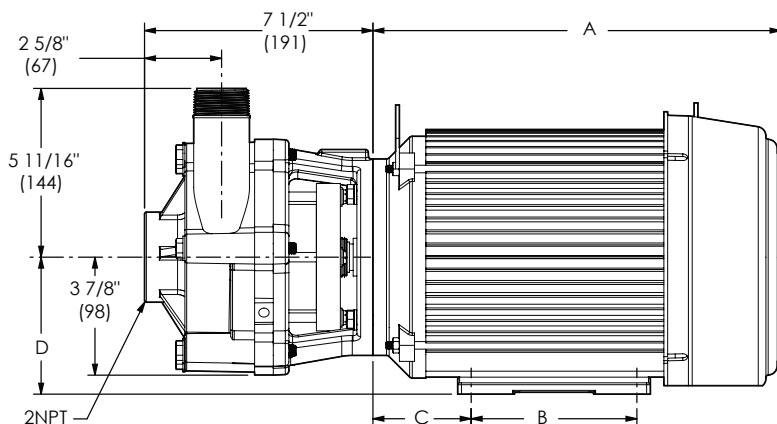
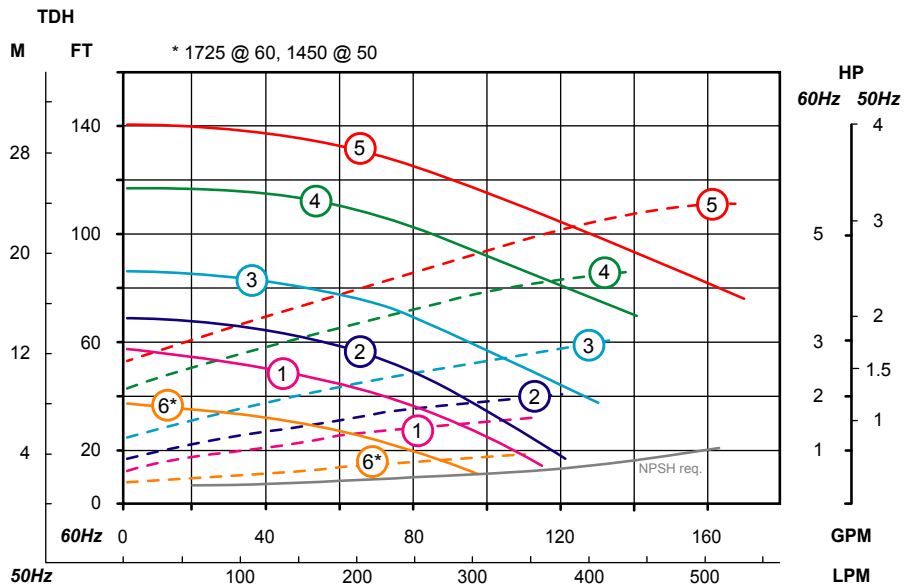
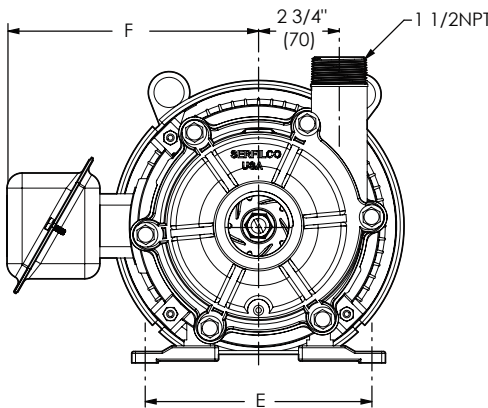
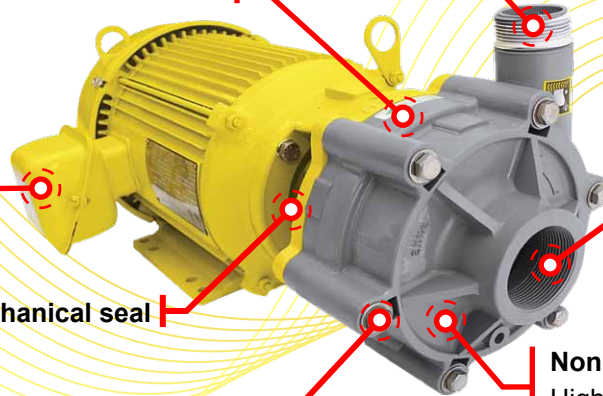
Centrifugal  
Quiet & vibration free

Choice of single or double mechanical seal

Non-metallic solution contact

High-temp PP, CPVC, PVDF or ECTFE  
(See chemical resistance guide T-102)

Pump casing indexes to six directions of discharge



Voltage	HP (kW)	Dimensions: in. (mm)					
		A	B	C	D	E	F
208-230/460/3/60 1725 rpm	1.0 (.75)	9.19 (233)	4 (102)	2.56 (65)	3.5 (89)	5.5 (140)	6.25 (219)
208-230/460/3/60 3450 rpm	1.5 (1.1)	10.25 (260)	5 (127)				
208-230/460/3/60 3450 rpm	1.5 (1.1)	11.00 (279)	2.75 (70)	4.5 (115)	7.5 (160)	7.5 (160)	
	2.0 (1.5)	13.25 (337)					
	3.0 (2.2)	7.5 (5.5)					

Dimensions are for reference only.

\* Motor dimensions will vary with motor manufacturer.



# Series 'HE' | Horizontal Pumps

## Order Information

**For standard pump-motor combination, select model from table below.**

Select flow curve number providing the desired performance. Then match to Model # listed below.

Standard models include: Silicon carbide single or double mechanical seal, EPDM elastomers (CPVC, PP or ECTFE) & FKM (PVDF).

Motor HP is non-overloading at full capacity with 1.1 specific gravity.

Flow Curve	Model #	PCN	Model #	PCN	Model #	PCN
	CPVC/FKM		PP/FKM		PVDF/FKM	
2	H2X11/2CE2V(M8)-DM2.0-B	42-0128-BMB	H2X11/2PE2V(M8)-DM2.0-B	42-0428-BMB	H2X11/2KE2V(M8)-DM2.0	42-0328-BM
3	H2X11/2CE3V(M8)-DM2.0-B	42-0138-BMB	H2X11/2PE3V(M8)-DM2.0-B	42-0438-BMB	H2X11/2KE3V(M8)-DM2.0	42-0338-BM
4	H2X11/2CE4V(M8)-DM3.0-B	42-0148-CMB	H2X11/2PE4V(M8)-DM3.0-B	42-0448-CMB	H2X11/2KE4V(M8)-DM3.0	42-0348-CM
5	H2X11/2CE5V(M8)-DM4.0-B	42-0158-DMB	H2X11/2PE5V(M8)-DM4.0-B	42-0458-DMB	H2X11/2KE5V(M8)-DM4.0	42-0358-DM

Flow Curve	Model #	PCN	Model #	PCN	Model #	PCN
	CPVC/FKM		PP/EPDM		PVDF/FKM	
2	H2X11/2CE2V(M8XM1)-DM2.0-B	42-0129-BMB	H2X11/2PE2L(M8XM1)-DM2.0-B	42-0424-BMB	H2X11/2KE2V(M8XM1)-DM2.0	42-0329-BM
3	H2X11/2CE3V(M8XM1)-DM2.0-B	42-0139-BMB	H2X11/2PE3L(M8XM1)-DM2.0-B	42-0434-BMB	H2X11/2KE3V(M8XM1)-DM2.0	42-0339-BM
4	H2X11/2CE4V(M8XM1)-DM3.0-B	42-0149-CMB	H2X11/2PE4L(M8XM1)-DM3.0-B	42-0444-CMB	H2X11/2KE4V(M8XM1)-DM3.0	42-0349-CM
5	H2X11/2CE5V(M8XM1)-DM4.0-B	42-0159-DMB	H2X11/2PE5L(M8XM1)-DM4.0-B	42-0454-DMB	H2X11/2KE5V(M8XM1)-DM4.0	42-0359-DM

*\*For custom pump-motor combinations or 50 Hz models, please consult Serfilco sales department. (800) 323-5431*

## Options

PCN	ADD TO PCN
Flange connections ANSI 150 lbs. (ASA 150) 2"x1-1/2"	'-FL'
Long Coupled	'-LC'

*Long coupled includes: cast iron pedestal, steel channel, flexible coupling and guard.*