



SERIES 'HF' | HORIZONTAL PUMPS

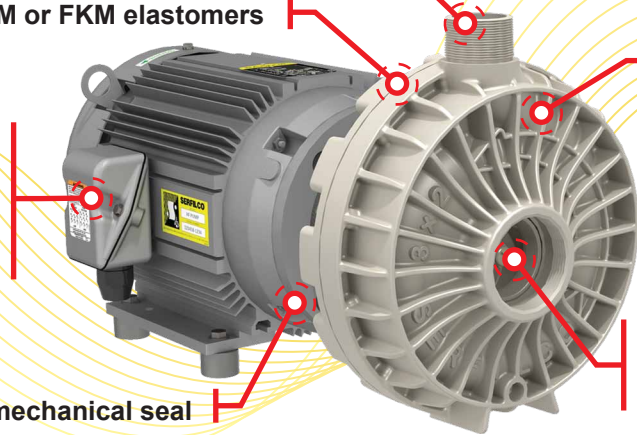
1,200 LPM or 40 m TDH @ 50Hz

EPDM or FKM elastomers

Non-metallic solution contact
High-temp PP, CPVC, or PVDF
(See chemical resistance guide T-102)

Chemical Duty Motor

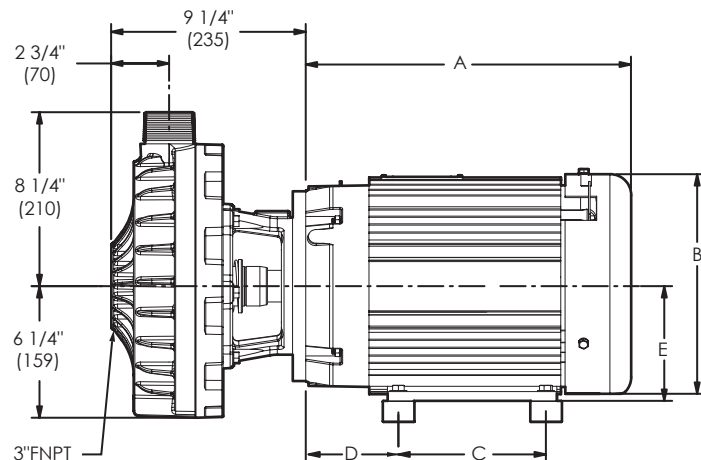
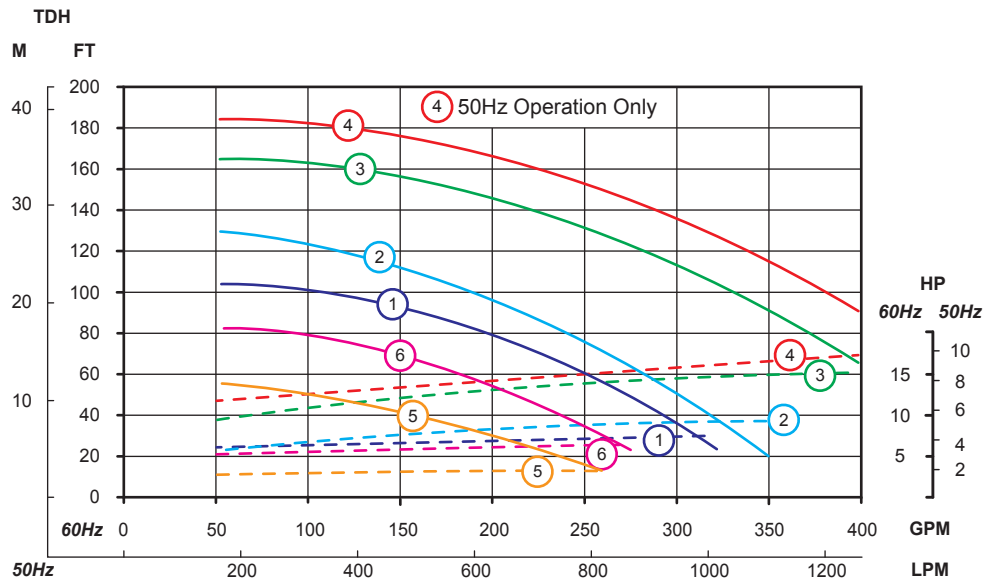
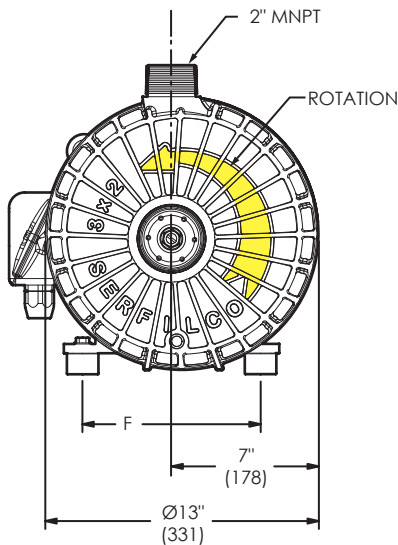
Sealed oversized bearings, cast iron end bells, corrosion resistant epoxy coating, stainless steel nameplate.



Centrifugal

ANSI dimensional, available w/optional flange connections.

Choice of single or double mechanical seal



Pump Dimensions

| kW | Dimensions: mm | | | | | |
|---------|----------------|-----|-----|-----|-----|-----|
| | A* | B* | C | D | E | F |
| 4.0 kW | 383 | 201 | 140 | 89 | 112 | 190 |
| 5.5 kW | 385 | 201 | 140 | 89 | 132 | 215 |
| 7.5 kW | 430 | 258 | 140 | 118 | 132 | 216 |
| 11.0 kW | 573 | 300 | 210 | 108 | 160 | 254 |

Dimensions are for reference only
* Motor dimensions will vary with motor manufacturer.



Series 'HF' | Horizontal Pumps

Order Information

For standard pump-motor combination, select model from table below.

Select flow curve number providing the desired performance, then match to Model # listed below.

Standard models include: Silicon carbide single or double mechanical seal, FKM or EPDM elastomers (CPVC, PP or PVDF)

Motor HP is non-overloading at full capacity for S.G. of 1.0.

| Standard - Single Mechanical Seal - 50 Hz Models | | | | | | |
|--|------------------------|------------|------------------------|------------|------------------------|------------|
| Flow Curve | Model | PCN | Model | PCN | Model | PCN |
| | CPVC/FKM | | PP/EPDM | | PVDF | |
| 2 | HF3x2-CM-2V(M8)-DM7.5 | 47-5027-EM | HF3x2-PM-2L(M8)-DM7.5 | 47-5121-EM | HF3x2-KM-2V(M8)-DM7.5 | 47-5227-FM |
| 3 | HF3x2-CM-3V(M8)-DM10.0 | 47-5037-FM | HF3x2-PM-3L(M8)-DM10.0 | 47-5131-FM | HF3x2-KM-3V(M8)-DM10.0 | 47-5237-FM |
| 4 | HF3x2-CM-4V(M8)-DM10.0 | 47-5047-FM | HF3x2-PM-4L(M8)-DM10.0 | 47-5141-FM | HF3x2-KM-4V(M8)-DM10.0 | 47-5247-FM |

| Standard - Double Mechanical Seal - 50 Hz Models | | | | | | |
|--|---------------------------|------------|---------------------------|------------|---------------------------|------------|
| Flow Curve | Model | PCN | Model | PCN | Model | PCN |
| | CPVC/FKM | | PP/EPDM | | PVDF | |
| 2 | HF3x2-CM-2V(M8xM1)-DM7.5 | 47-5028-EM | HF3x2-PM-2L(M8xM1)-DM7.5 | 47-5124-EM | HF3x2-KM-2V(M8xM1)-DM7.5 | 47-5228-FM |
| 3 | HF3x2-CM-3V(M8xM1)-DM10.0 | 47-5038-FM | HF3x2-PM-3L(M8xM1)-DM10.0 | 47-5134-FM | HF3x2-KM-3V(M8xM1)-DM10.0 | 47-5238-FM |
| 4 | HF3x2-CM-4V(M8xM1)-DM10.0 | 47-5048-FM | HF3x2-PM-4L(M8xM1)-DM10.0 | 47-5144-FM | HF3x2-KM-4V(M8xM1)-DM10.0 | 47-5248-FM |

* For custom pump-motor combinations please consult Serfilco sales department. (800) 323-5431

Options

| Description | Add to Model | PCN |
|--------------------|-------------------|---------|
| CPVC FLANGED CONNS | 3" SUCTION DIN | 01-5138 |
| | 3" SUCTION ANSI | 01-5139 |
| | 2" DISCHARGE ANSI | 01-5163 |
| | 2" DISCHARGE DIN | 01-5162 |
| PP FLANGED CONNS | 3" SUCTION DIN | 01-5134 |
| | 3" SUCTION ANSI | 01-5135 |
| | 2" DISCHARGE ANSI | 01-5161 |
| | 2" DISCHARGE DIN | 01-5610 |