

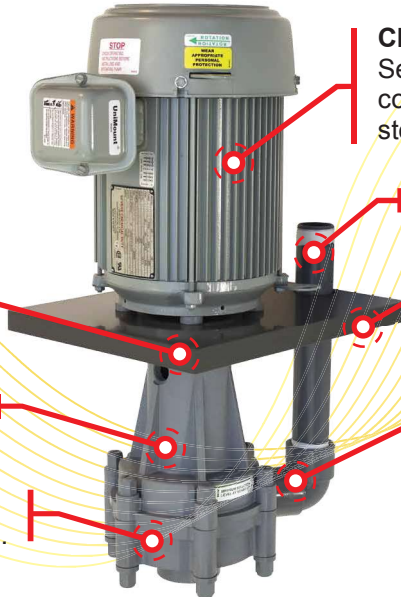


SERFILCO®

Chemical resistant pumps & filters engineered for industry

BULLETIN
P-301_AE-GB
09/01/2021
Page 1 of 2

SERIES 'EH' | VERTICAL PUMPS



Chemical Duty Motor (1.1-4.0 kW)

Sealed oversized bearings, cast iron end bells, corrosion resistant epoxy coating, & stainless steel nameplate.

550 LPM or 32 m TDH @ 50Hz

PTFE shaft vapor seal

Protects motor bearing from atmosphere

In or out-of-tank

Choice of 305mm or 457mm column

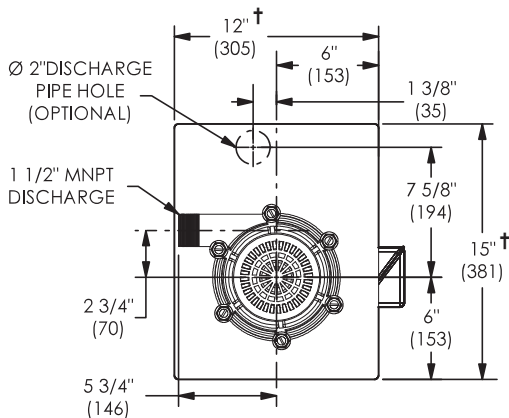
Non-metallic solution contact

High-temp PP, CPVC, PVDF, or ECTFE-T

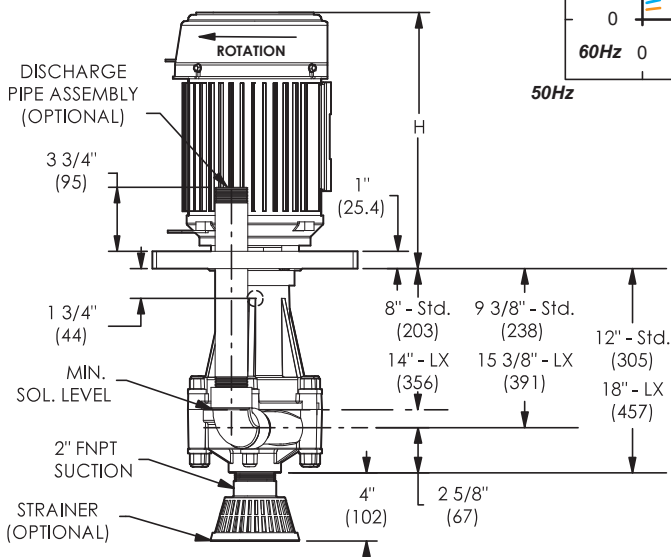
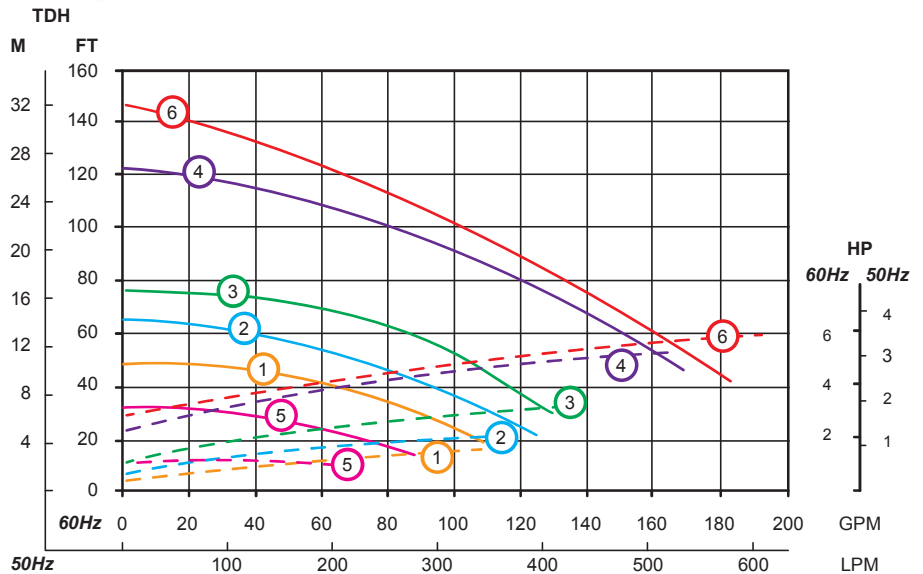
(See chemical resistance guide T-102)

Centrifugal

Quiet & vibration free.



† 12" x 15" (CPVC, PP & ECTFE-T)
11-3/4" x 11-3/4" (PVDF)



Pump Dimensions

kW	Dimensions: mm
	H
1.1 kW	321 mm
1.5 kW	347 mm
2.2 kW	347 mm
3.0 kW	413 mm
4.0 kW	443 mm

Dimensions are for reference only.
* Motor dimensions will vary with motor manufacturer.



Series 'EH' | Vertical Pumps

Order Information

For standard pump-motor combination, select model from table below.

Select flow curve number providing the desired performance. Then match to Model # listed below.

Standard models include: EPDM elastomers (CPVC, PP) & FKM (PVDF).

Motor HP is non-overloading at full capacity with 1.1 specific gravity.

Series 'EH' Standard 50 Hz Models						
Flow Curve	Model #	PCN	Model #	PCN	Model #	PCN
	CPVC/EPDM		PP/EPDM		PVDF/FKM	
2	EH1-1/2-2SC-DM1.5-B	45-0122-MB	EHP1-1/2-2SC-DM1.5-B	45-0622-MB	EHK1-1/2-2SC-DM1.5	45-0722-M
3	EH1-1/2-3SC-DM2.0-B	45-0133-MB	EHP1-1/2-3SC-DM2.0-B	45-0633-MB	EHK1-1/2-3SC-DM2.0	45-0733-M
4	EH1-1/2-4SC-DM3.0-B	45-0144-MB	EHP1-1/2-4SC-DM3.0-B	45-0644-MB	EHK1-1/2-4SC-DM3.0	45-0744-M
5	EH1-1/2-5SC-DM4.0-B	45-0155-MB	EHP1-1/2-5SC-DM4.0-B	45-0655-MB	EHK1-1/2-5SC-DM4.0	45-0755-M
5	EH1-1/2-5SC-DM5.5-B	45-0156-MB	EHP1-1/2-5SC-DM5.5-B	45-0656-MB	EHK1-1/2-5SC-DM5.5	45-0756-M
Series 'EHLX' (Extended) Optional 50 Hz Models						
2	EHLX1-1/2-2SC-DM1.5-B	45-0922-MB	EHPLX1-1/2-2SC-DM1.5-B	45-1322-MB	EHLX1-1/2-2SC-DM1.5	45-1422-M
3	EHLX1-1/2-3SC-DM2.0-B	45-0933-MB	EHPLX1-1/2-3SC-DM2.0-B	45-1333-MB	EHLX1-1/2-3SC-DM2.0	45-1433-M
4	EHLX1-1/2-4SC-DM3.0-B	45-0944-MB	EHPLX1-1/2-4SC-DM3.0-B	45-1344-MB	EHLX1-1/2-4SC-DM3.0	45-1444-M
5	EHLX1-1/2-5SC-DM4.0-B	45-0955-MB	EHPLX1-1/2-5SC-DM4.0-B	45-1355-MB	EHLX1-1/2-5SC-DM4.0	45-1455-M
5	EHLX1-1/2-5SC-DM5.5-B	45-0956-MB	EHPLX1-1/2-5SC-DM5.5-B	45-1356-MB	EHLX1-1/2-5SC-DM5.5	45-1456-M

**For custom pump-motor combinations please consult Serfilco sales department.*

PH: +44 0161 775 1910

Options

Description	Material	Price Code
Suction Strainer	CPVC (PE) PP (PE) PVDF (HALAR)	01-8967-C 01-8967-PP 45-0162-HK
24" Suction Extension	CPVC PP PVDF	01-8968-C 01-8968-PP 45-0163-K
DPA Terminating 1-1/2" Above Mounting Plate	CPVC PP PVDF	01-8966-C-B 01-8966-PP-B 01-8966-K
DPA Terminating 50mm Socket Union Above Mounting Plate	CPVC PP PVDF	01-8965-C 01-8965-PP 01-8965-K
FKM O-RING	For PP Pump For CPVC Pump	Add '-V' to Code Add '-V' to Model
PVDF Impeller	For CPVC Pump	Add '-K' to Code Add '-K' to Model