



SERIES 'EO' VERTICAL PUMPS

Pump has no bearings



Can run dry indefinitely

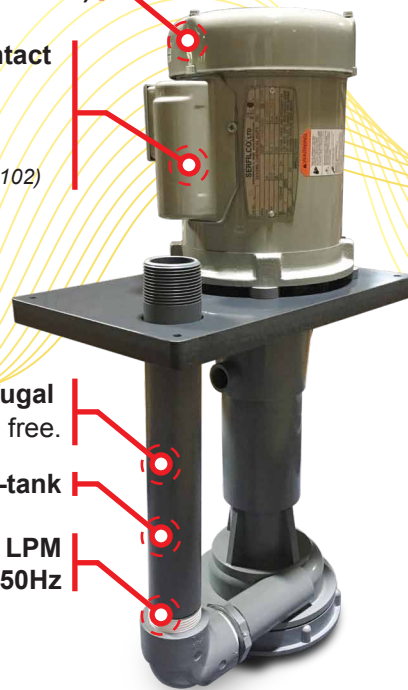
Chemical Duty Motor (1/8 - 1.5 kW.)

Non-metallic solution contact

Polypropylene, CPVC,
or 100% PVDF, Viton®
or EPDM elastomers
(See chemical resistance guide T-102)



MODEL EO 3/4



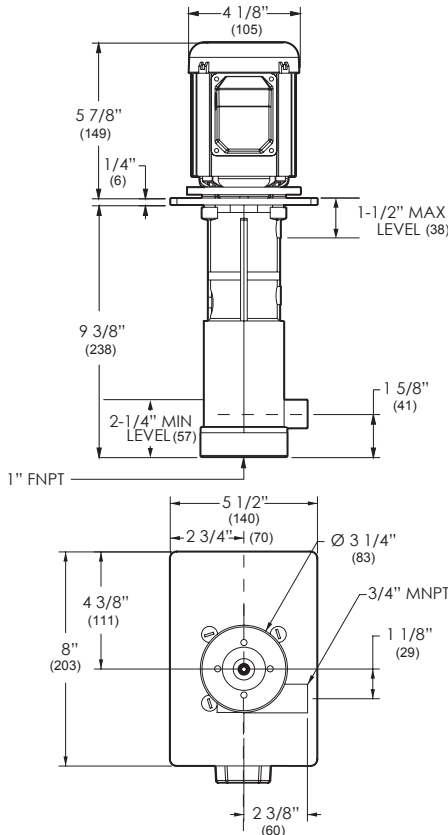
Centrifugal
Quiet & vibration free.

In or out-of-tank

Flows to 300 LPM
or 15 M TDH @ 50Hz

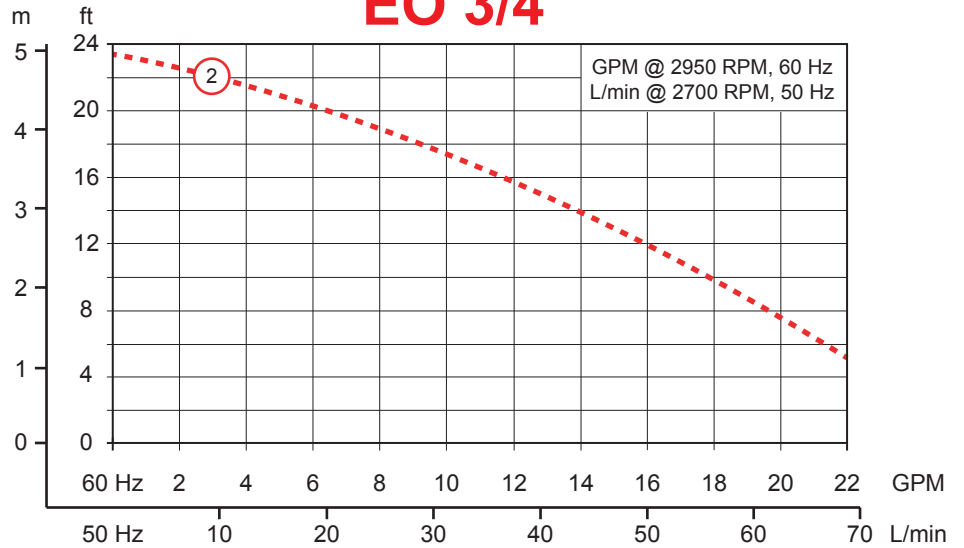
MODEL EO 1-1/4

Shown w/ Optional Mounting Plate Hole
and Discharge Pipe Assy.



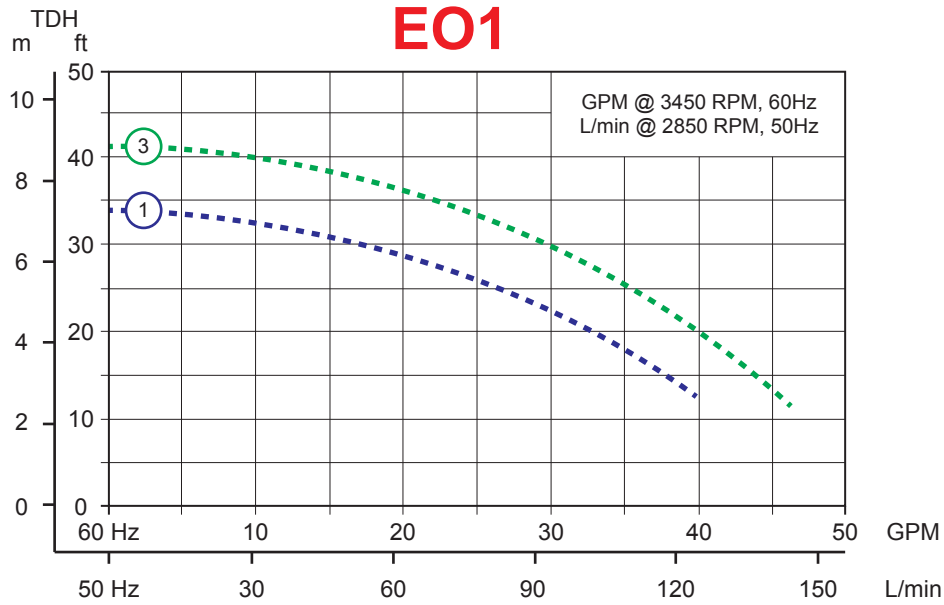
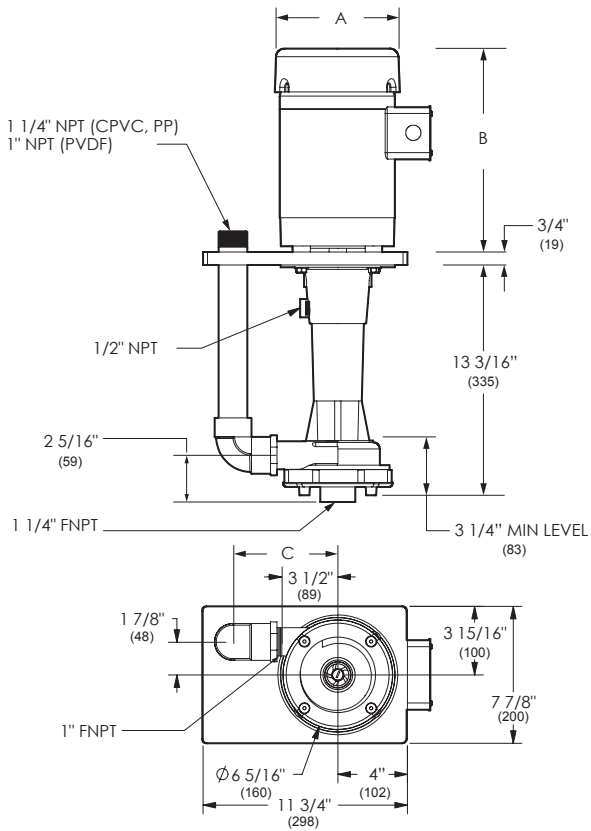
TDH

EO 3/4

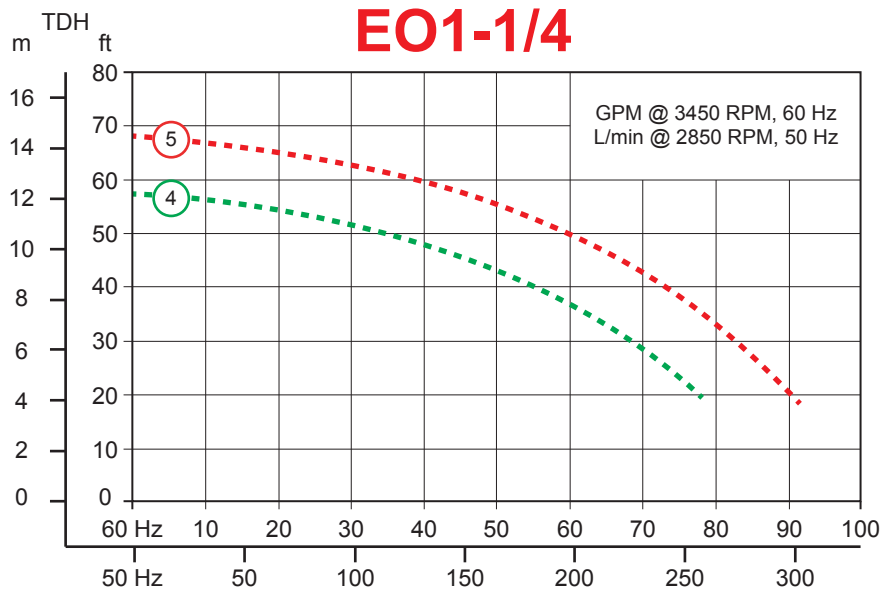
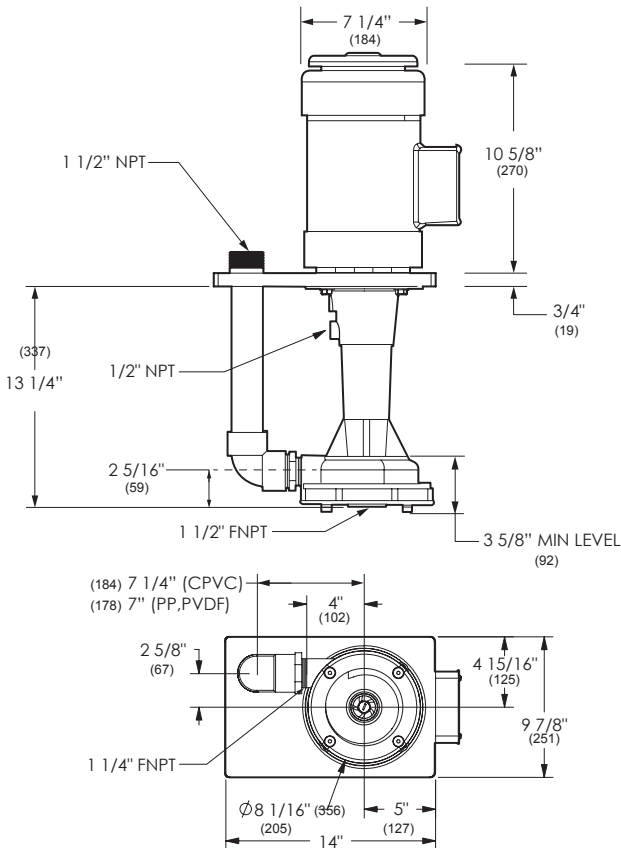




SERIES 'EO' VERTICAL PUMPS



PUMP MODEL	HP	A	B	MATERIAL	C
EO1	.33	5-7/8" (149)	8-1/2" (216)	CPVC	6" (152)
	.75	7-1/8" (181)	9-5/8" (244)	PP	6-3/8" (162)
				PVDF	5-3/8" (137)





SERIES 'EO' VERTICAL PUMPS

STANDARD MODELS

For standard CPVC, PP and PVDF pump-motor combinations, select model from Table I.
Model EO-3/4 with EPDM includes optional FKM O-Ring.

For other pump-motor combinations, consult SERFILCO's Sales Department:
PH: +44 0161 775 1910

Select flow curve and material. Use Price Code No. to order.

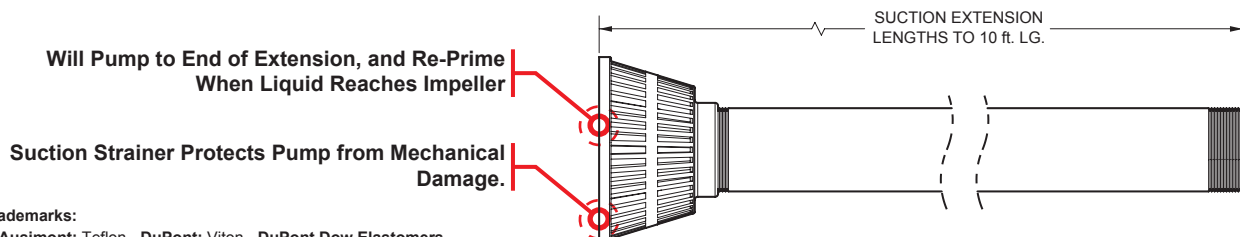
FLOW CURVE NO.	MAX. FLOW ¹	POLYPROPYLENE / EPDM		CPVC / EPDM		PVDF / VITON	
		MODEL	PRICE CODE NO	MODEL	PRICE CODE NO	MODEL	PRICE CODE NO
2	70	EO¾PPL2-C1/8	39-0212-B	EO¾CL2-C1/8	39-0212-B	EO¾KV2-C1/8	39-0322-B
1	120	EO1PPL1-CM.5-B	39-1111-BMB	EO1CL1-CM.5-B	39-1211-BMB	EO1KV1-CM.5	39-1321-BM
3	150	EO1PPL3-CM.5-B	39-1113-BMB	EO1CL3-CM.5-B	39-1213-BMB	EO1KV3-CM.5	39-1323-BM
4	250	EO1¼PPL4-DM.75-B	39-2114-HMB	EO1¼CL4-DM.75-B	39-2214-HMB	EO1¼KV4-DM.75	39-2324-HM
5	300	EO1¼PPL5-DM1.5-B	39-2115-KMB	EO1¼CL5-DM1.5-B	39-2215-KMB	EO1¼KV5-DM1.5	39-2325-KM

¹ Maximum flow (LPM) @ 50 Hz with 1.0 specific gravity liquid at ambient temperature

OPTIONAL EQUIPMENT

DESCRIPTION	ADD SUFFIX TO MODEL	ADD TO PRICE CODE NO.
Through hole in standard mounting plate (N/A EO¾)	MPH	X
Titanium option - shaft and fasteners (N/A EO¾)	T	T
PVDF impeller on CPVC pump	-K	K
FKM O-Ring	CHANGE 'L' TO 'V'	V

DESCRIPTION	EO¾		EO1		EO1¼	
	SIZE	PRICE CODE NO.	SIZE	PRICE CODE NO.	SIZE	PRICE CODE NO.
DPA, SOC, ABOVE MTG PLATE						
Polypropylene	—	—	32 MM	01-8961-PP	40 MM	01-8962-PP
CPVC	—	—	32 MM	01-8961-C	40 MM	01-8962-C
PVDF	—	—	32 MM	01-8961-K	40 MM	01-8962-K
DPA, MBSP, ABOVE MTG PLATE						
Polypropylene	¾"	39-1006-PP	1"	39-1001-PP-B	1¼"	39-2001-PP-B
CPVC	¾"	39-1006-C	1"	39-1001-C-B	1¼"	39-2001-C-B
PVDF	¾"	39-1006-K	1"	01-8961-K	1¼"	39-2001-K
18" SUCTION EXTENSION						
Polypropylene	1"	45-0274	1¼"	01-8963-PP	1½"	01-8964-PP
CPVC	1"	45-0208	1¼"	01-8963-C	1½"	01-8964-C
PVDF	1"	45-0230	1½"	01-8963-K	1½"	01-8964-K
SUCTION STRAINER						
Polyethylene / PP	—	—	—	39-1002-PP	—	39-2002-PP
Polyethylene / CPVC	—	—	—	39-1002-C	—	39-2002-C
ECTFE / PVDF	—	45-0254-1	—	39-1003-K	—	39-2003-K



Registered Trademarks:
Halar - Ausimont; Teflon - DuPont; Viton - DuPont Dow Elastomers



PERFECT PUMPS FOR CHEMICALS

Proudly Made in the USA, SERFILCO Offers the Widest Range of Chemical Pumps Anywhere.

'EH' Vertical Pump

- Can Run Dry
- Extended Column to 3 m.
- Flows to 700 LPM, 44 m TDH



'HE' Horizontal Pump

- Single or Double Mech. Seal
- Variety of Material Types
- Flows to 662 LPM, 42 m TDH



'ME' Magnetic Coupled Pump

- Seal-less Magnetic Coupled
- Polypropylene or PVDF
- Flows to 360 LPM, 16 m TDH



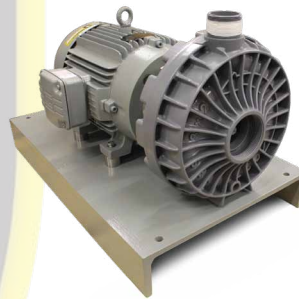
'EF' Vertical Pump

- Can Run Dry
- Suction Extension to ~1m.
- Flows to 1514 LPM, 51 m TDH



'HF' Horizontal Pump

- Single or Double Mech. Seal
- Variety of Material Types
- Flows to 1514 LPM, 48 m TDH



'FE' Magnetic Coupled Pump

- Seal-less Magnetic Coupled
- Polypropylene or PVDF
- Flows to 492 LPM, 29 m TDH



'EHM' Vertical Pump

- Can Run Dry
- Suction Extension to ~1m.
- Flows to 2460 LPM, 35 m TDH



'HA' Horizontal Pump

- Single or Double Mech. Seal
- Machined from Solid CPVC
- Flows to 4542 LPM, 35 m TDH



'FES' Magnetic Coupled Pump

- Seal-less Magnetic Coupled
- Polypropylene or PVDF
- Flows to 946 LPM, 53 m TDH

