



SERIES 'EF' | VERTICAL PUMPS



PTFE shaft vapor seal
Protects motor bearing from atmosphere

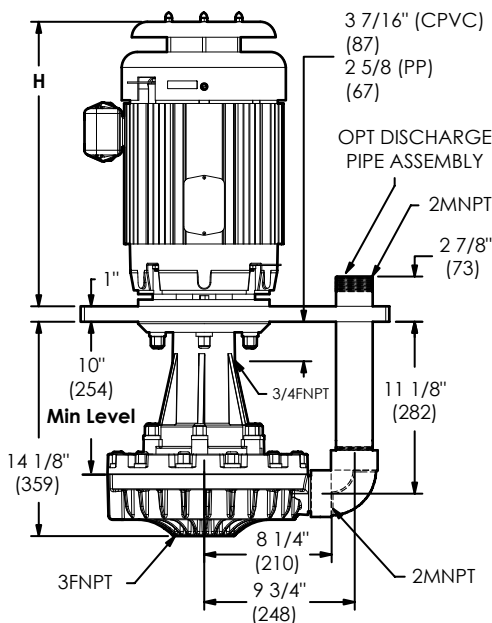
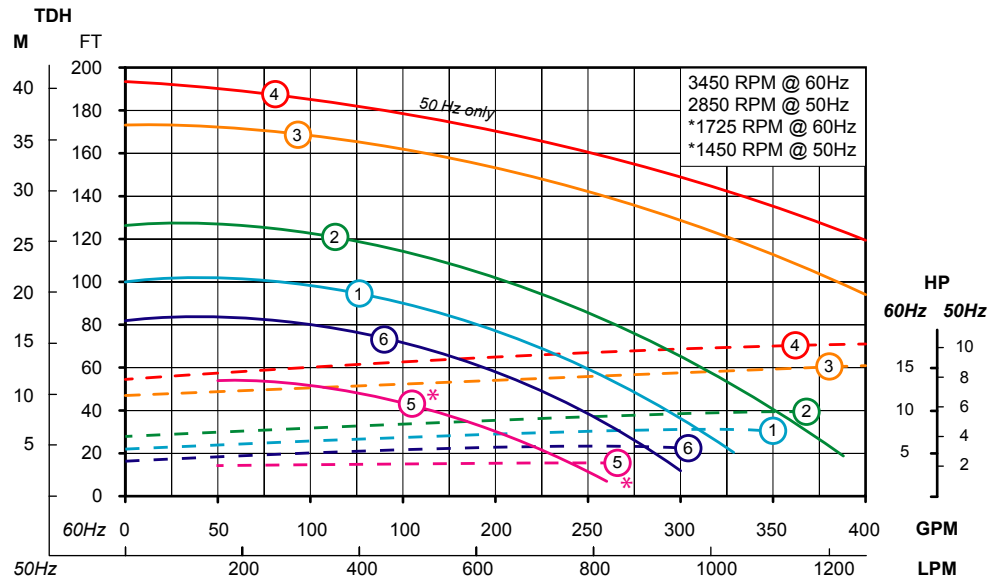
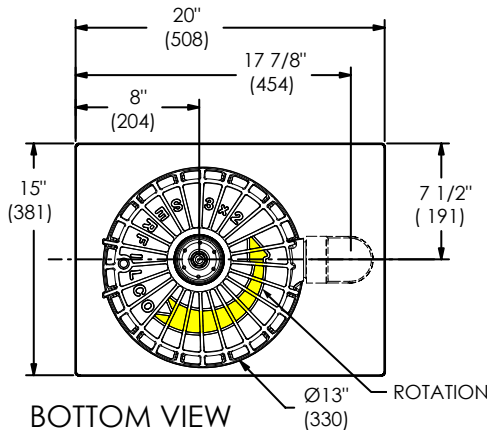
Chemical Duty Motor (2.2-7.5 kW)
Sealed oversized bearings, cast iron end bells, corrosion resistant two-part coating, & stainless steel nameplate.

In or out-of-tank

1,200 LPM or 41 m TDH @ 50Hz

Centrifugal
Quiet & vibration free.

Non-metallic solution contact
High-temp PP, CPVC, or PVDF
(See chemical resistance guide T-102)



Pump Dimensions

kW	Dimensions: mm	
	H	
4.0 kW	400 mm	
5.5 kW	400 mm	
7.5 kW	400 mm	
11.0 kW	570 mm	

Dimensions are for reference only.
* Motor dimensions will vary with motor manufacturer.



Series 'EF' | Vertical Pumps

Order Information

For standard pump-motor combination, select model from table below.

Select flow curve number providing the desired performance, then match to Model # listed below.

Standard models include: EPDM elastomers (CPVC & PP).

Motor HP is non-overloading at full capacity for S.G. of 1.0.

Series 'EF' Standard 50 Hz models				
Flow Curve	Model #	PCN	Model #	PCN
	CPVC/EPDM		PP/EPDM	
2	EF3x2-2SC-DM7.5	45-2025-M	EFP3x2-2SC-DM7.5	45-2225-M
3	EF3x2-3SC-DM10.0	45-2036-M	EFP3x2-3SC-DM10.0	45-2236-M
4	EF3x2-4SC-DM10.0	45-2046-M	EFP3x2-4SC-DM10.0	45-2246-M
5	EF3x2-5SC-HM3.0	45-2053-M	EFP3x2-5SC-HM3.0	45-2253-M
Series 'EFLX' Extended 50 Hz models				
1	EFLX3 X 2-1SC-DM5.3	45-2114-M	EFPLX3 X 2-1SC-DM5.0	45-2314-M
2	EFLX3 X 2-2SC-DM7.5	45-2125-M	EFPLX3 X 2-2SC-DM7.5	45-2325-M
3	EFLX3 X 2-3SC-DM10.0	45-2136-M	EFPLX3 X 2-3SC-DM10.0	45-2336-M
4	EFLX3 X 2-4SC-DM10.0	45-2146-M	EFPLX3 X 2-4SC-DM10.0	45-2346-M
5	EFLX3 X 2-5SC-HM3.0	45-2153-M	EFPLX3 X 2-5SC-HM3.0	45-2353-M

** For custom pump-motor combinations please consult Serfilco sales department.
PH: +44 0161 775 1910*

Options

Description	Materials	Adder Code
Suction Strainer	CPVC (PE) PP (PE)	01-8911-C 01-8911-PP
Suction Extension, 12"	CPVC PP	01-8912-C 01-8912-PP
DPA, Terminating 2" MBSP Above Mounting Plate	CPVC PP	01-8910-C 01-8910-PP
DPA Terminating 63mm Socket	CPVC PP	01-8909-C 01-8909-PP
FKM O-Ring	To PP Pump To CPVC PUMP	Add '-V' to Code Add '-V' to Model
PVDF Impeller	To CPVC Pump	Add '-K' to Code Add '-K' to Model
For LX (extended models)	All	Add '-LX' to Code