



SERIES 'FES' | SELF-PRIMING MAG PUMPS

Powerful Rare Earth Magnets

Provides sure coupling to 1.8 S.G.

Extended Run Dry Ability

(with carbon bushing)

Flows to 120 U.S. GPM

or 90 ft. TDH @ 60Hz
(430 LPM or 23.5 m @ 50Hz)

Fast Priming

18 ft. 4.6m in 90 sec.

Deep Lift Capability

Up to 25 ft. / 7.6 m

**Accepts Standard
NEMA or IEC Motors**

Standard Materials:

Front & Rear Thrust Rings & Shaft: Alumina Ceramic

Impeller Thrust Ring: Molybdenum disulfide PTFE

Casing O-Ring: FKM

Impeller Drive Bushing: Carbon

Non-Metallic Solution Contact

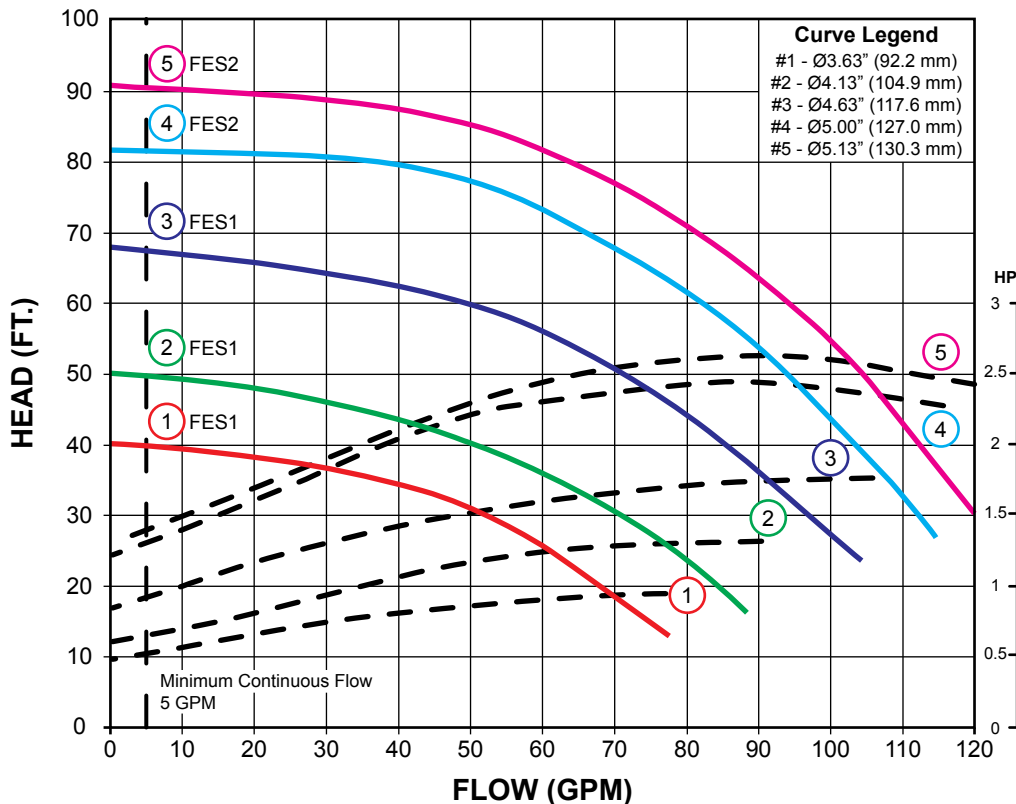
Glass reinforced PP

Carbon reinforced PVDF

(See chemical resistance chart)

PERFORMANCE INFORMATION

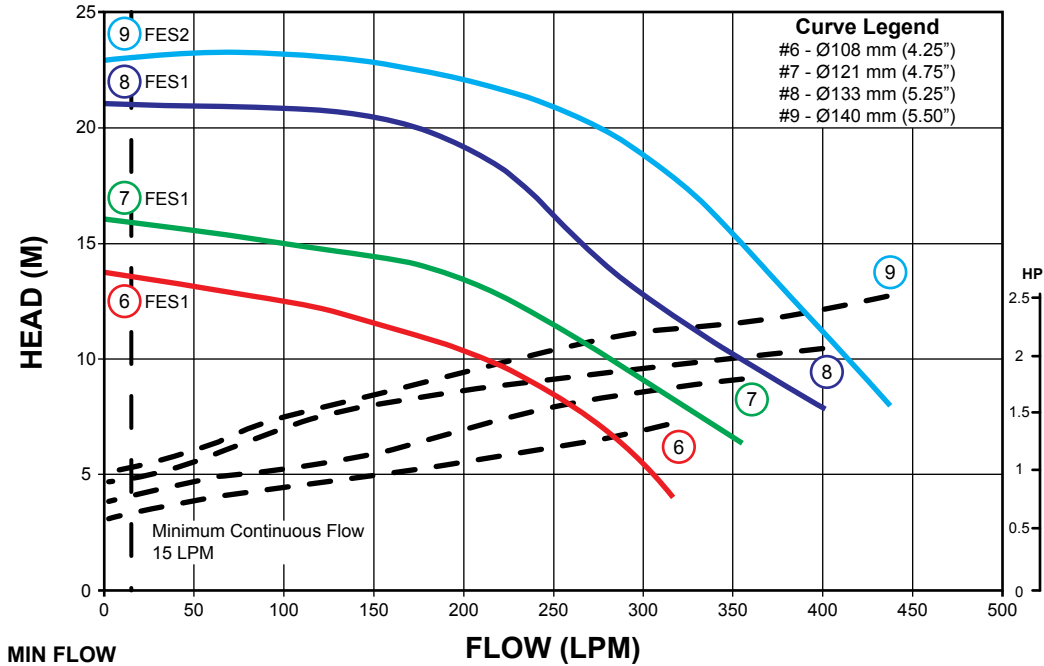
FES1 & FES2 - 60Hz - 3450 RPM - FLOODED SUCTION





PERFORMANCE INFORMATION cont.

FES1 & FES2 - 50Hz - 2900 RPM - FLOODED SUCTION



STANDARD MODELS

MODEL FES1					
FLOW CURVE	POLYPROPYLENE PUMP		PVDF PUMP		MAX S.G.
	MODEL NUMBER	PRICE CODE	MODEL NUMBER	PRICE CODE	
1	FES1MPVGC 1A-D1.0	P-51-0611-G	FES1MKVGC 1A-D1.0	P-51-0711-G	1.11
2	FES1MPVGC 2A-D1.5	P-51-0621-J	FES1MKVGC 2A-D1.5	P-51-0721-J	1.15
3	FES1MPVGC 3B-D2.0	P-51-0632-K	FES1MKVGC 3B-D2.0	P-51-0732-K	1.11
MODEL FES2					
4	FES2MPVGC 4C-D3.0	P-51-0843-L	FES2MKVGC 4C-D3.0	P-51-0943-L	1.28
5	FES2MPVGC 5C-D3.0	P-51-0853-L	FES2MKVGC 5C-D3.0	P-51-0953-L	1.13

MODEL KEY

PUMP ¹	
MODEL NUMBER	PRICE CODE
FES1 MPVGC Polypropylene	51-06
FES1 MKVGC PVDF	51-07
FES2 MPVGC Polypropylene	51-08
FES2 MKVGC PVDF	51-09

IMPELLER				
CURRENT	PRICE CODE	FLOW CURVE	ADD TO	
			MODEL	PRICE CODE
60 Hz	FES1	1	1	1
		2	2	2
		3	3	3
50 Hz	FES2	4	4	4
		5	5	5
		6	6	6
	FES1	7	7	7
		8	8	8
		9	9	9

¹ For pump only, eliminate motor suffix from Price Code Number



SERIES 'FES' | SELF-PRIMING MAG PUMPS

MODEL KEY cont.

MAGNET SET / FRAME SIZE					MOTOR ²				
CURRENT	HP/KW	MAG SET	FRAME SIZE	ADD TO		1-PHASE		3-PHASE	
				MODEL	PRICE CODE	MODEL	PCN	MODEL	PCN
60 Hz	1.0	6 POLE	56C	A	1	-C1.0	C	-D1.0	G
	1.5	6 POLE	56C	A	1	-C1.5	D	-D1.5	J
	2.0	6 POLE	143/5 TC	B	2	-	-	-D2.0	K
	3.0	8 POLE	143/5 TC	C	3	-	-	-D3.0	L
	5.0	10 POLE	182/4 TC	D	4	-	-	-D5.0	P

MAGNET SET / FRAME SIZE					MOTOR ²				
CURRENT	HP/KW	MAG SET	FRAME SIZE	ADD TO		1-PHASE		3-PHASE	
				MODEL	PRICE CODE	MODEL	PCN	MODEL	PCN
50 Hz	1.0	6 POLE	56C	A	1	C1.0-50	Q7	-D1.0-50	V7
	1.5	6 POLE	56C	A	1	C1.5-50	Q8	-	-
	1.5	6 POLE	143/5 TC	B	2	-	-	-D1.5-50	V8
	2.0	6 POLE	143/5 TC	B	2	-	-	-D2.0-50	V9
	3.0	10 POLE	182/4 TC	D	4	-	-	-D3.0-50	W8
	5.0	10 POLE	182/4 TC	D	4	-	-	-D5.0-50	W9
	1.0/.75	6 POLE	80 FR	E	5	-	-	-DM.75	Y7
	1.5/1.1	6 POLE	80 FR	E	5	-	-	-DM1.1	Y8
	2.0/1.5	6 POLE	90 FR	F	6	-	-	-DM1.5	Y9
	3.0/2.2	8 POLE	90 FR	G	7	-	-	-DM2.2	Z7
	4.0/3.0	10 POLE	100 FR	J	8	-	-	-DM3.2	Z8
	5.5/4.0	10 POLE	112 FR	H	9	-	-	-DM4.2	Z9

² Single Phase

115-208-230V/1/60 or 110-220V/1/50

Three Phase

208-230-460V/3/60 or 220-380V/3/50

OPTIONAL EQUIPMENT

DESCRIPTION	ADD OR CHANGE MODEL	ADD TO PCN	DESCRIPTION	ADD OR CHANGE MODEL	ADD TO PCN
O-Ring: (Change 'V' in Model) EPDM	-L	1	Connections:		
			BSP Threads	-B	B
			Union Flange	-U -F	U F
Bushing: (Change 'C' in Model) Teflon Alumina Ceramic	-T -R	T R	Specials:		
			SiC (bushing, thrust ring, shaft)	-S	S
			Hastelloy® C Shaft	-H	H
			Titanium Hardware	-M	M
			Non-Sparking Ring	-N	N
			Explosion Proof Motor (w/ non-sparking ring)	-X-N	-XN
575 V Motor	-575	-575			

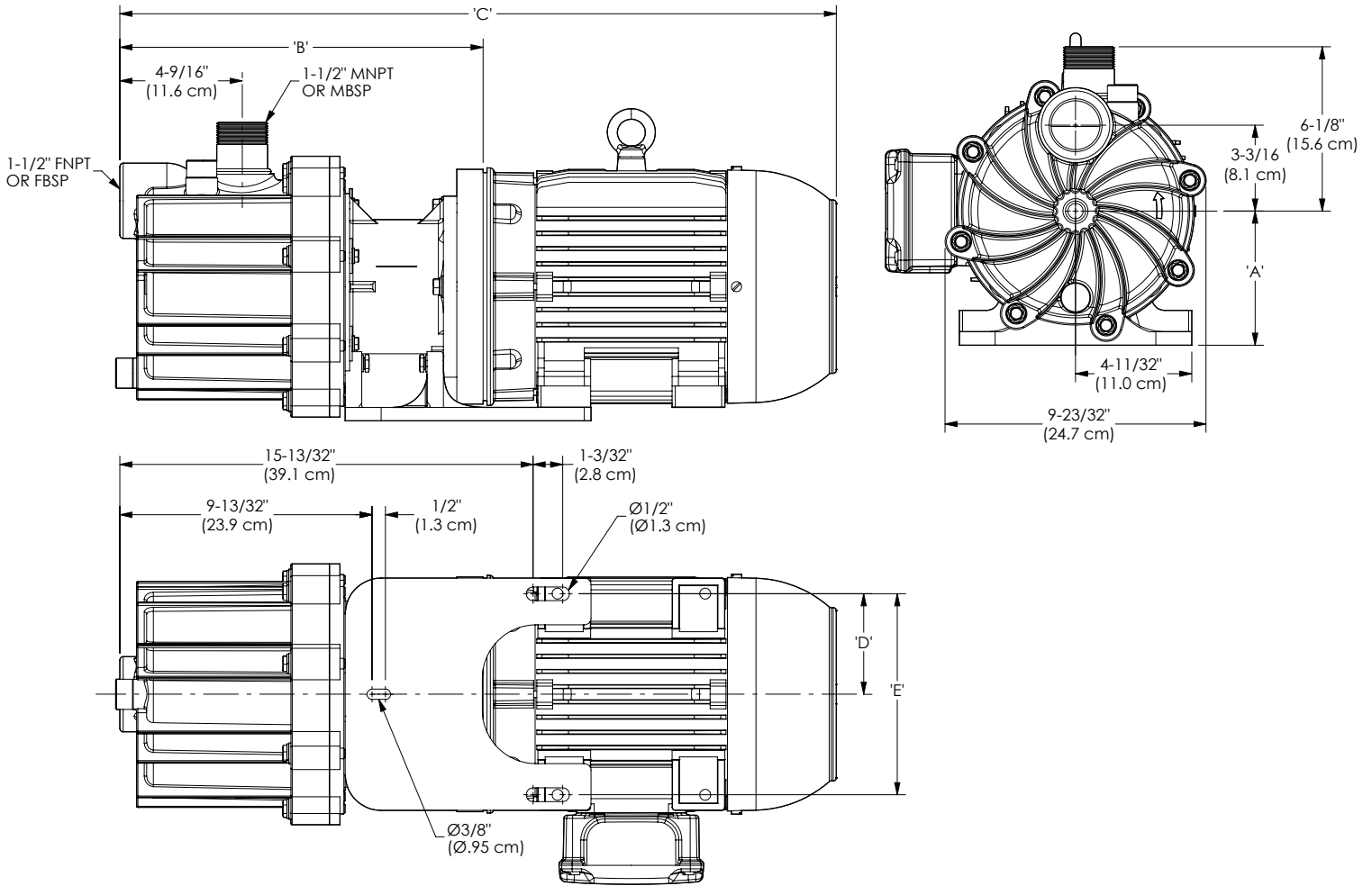
Example Model Number:

PUMP + IMPELLER + MAGNET/FRAME + MOTOR = PRICE CODE NO.
 FES1MPVGC + 3 + B + D2.0 = P-51-0632-K



SERIES 'FES' | SELF-PRIMING MAG PUMPS

DIMENSIONAL INFORMATION



DIMENSIONAL INFORMATION cont.

MOTOR FRAME	'A' (CM)	'B' (CM)	'C' (CM)†	'D' (CM)	'E' (CM)	WEIGHT - lbs (kg)	
						PP	PVDF
NEMA 56C	5" (12.7)	12-9/16" (31.9)	24-9/16" (62.4)	3-3/4" (9.5)	7-1/2" (19.1)	25 (11.3)	30 (13.6)
NEMA 145	5" (12.7)	12-9/16" (31.9)	23-5/16" (59.2)	3-3/4" (9.5)	7-1/2" (19.1)	25 (11.3)	30 (13.6)
NEMA 184	5" (12.7)	13-7/16" (31.4)	25-11/16" (66.6)	3-3/4" (9.5)	7-1/2" (19.1)	26 (11.8)	31 (14.1)
IEC 80 w/ B14 or B5*	5" (12.7)	13-3/16" (33.5)	23-23/32" (60.2)	3-3/4" (9.5)	7-1/2" (19.1)	25.5 (11.6)	30.5 (13.8)
IEC 90 w/ B14 or B5*	5" (12.7)	13-3/16" (33.5)	23-7/8" (60.6)	3-3/4" (9.5)	7-1/2" (19.1)	25.5 (11.6)	30.5 (13.8)
IEC 100 w/ B14	5" (12.7)	13-1/4" (33.7)	25-13/32" (64.5)	3-5/32" (8.0)	6-10/32" (16)	25.5 (11.6)	30.5 (13.8)
IEC 112 w/ B14	5" (12.7)	13-1/4" (33.7)	25-29/32" (65.8)	3-3/4" (9.5)	7-1/2" (19.1)	25.5 (11.6)	30.5 (13.8)

NOTE: Consult factory for dimensions on flanged or union models. † Varies with motor manufacturer.

* Does not include motor weight. ** for B5 Weight, add 3lbs. to 80/90 B14 frame weight and 6lbs. to 100/112 B14 Weight.

F.O.B. Northbrook, Illinois

Specifications Subject to Change Without Notice.



SERFILCO®

Chemical resistant pumps & filters engineered for industry

2900 MacArthur Blvd.
Northbrook, IL. 60062-2005 U.S.A (800) 323-5431
E-Mail: sales@serfilco.com (847) 509-2900
Web: www.serfilco.com (847) 559-1141

© 2021 SERFILCO Ltd, All Rights Reserved.

Registered Trademark:

Kalrez® - Dupont Performance Elastomers
Simriz® - Simrit® Division
Hastelloy® C - Haynes International Inc.