



SERFILCO®

Chemical resistant pumps & filters engineered for industry

E3/4SS, EOSS & EHSS Vertical Seal-less Pumps



**HIGH EFFICIENCY AND LOW ENERGY USAGE FOR:
HOT CORROSIVE CHEMICALS, ARDROX FORMULATIONS, CLEANERS,
CAUSTICS AND PERMANGANATES**

- Flow rates to 625 l/min
- TDH to 24m
- Constructed from wrought and cast 316L Stainless Steel
- PTFE Shaft vapour seal protects motor bearing and atmosphere
- Run dry continuously without failure as there are no bearings or seals
- Install In or Out of tank
- Metric IP55 Cast Iron Motors with oversized front bearings
- BSP connections
- PTFE encapsulated EPDM gaskets

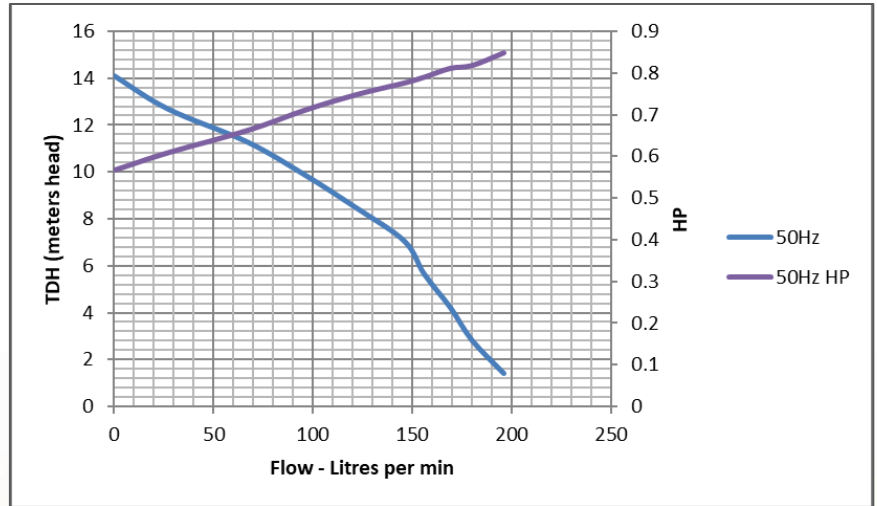
GLOBAL PRODUCTS, LOCAL SERVICE & ADVICE YOU CAN RELY ON



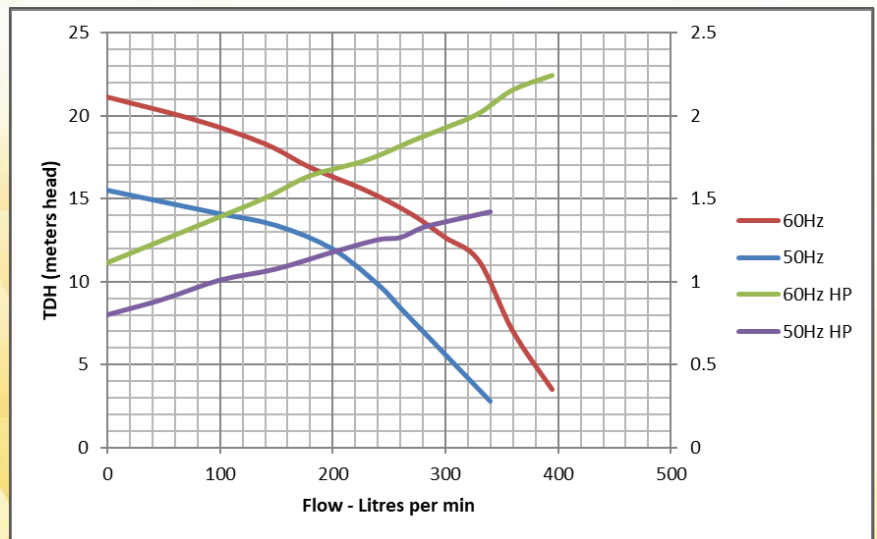
SERFILCO®

Chemical resistant pumps & filters engineered for industry

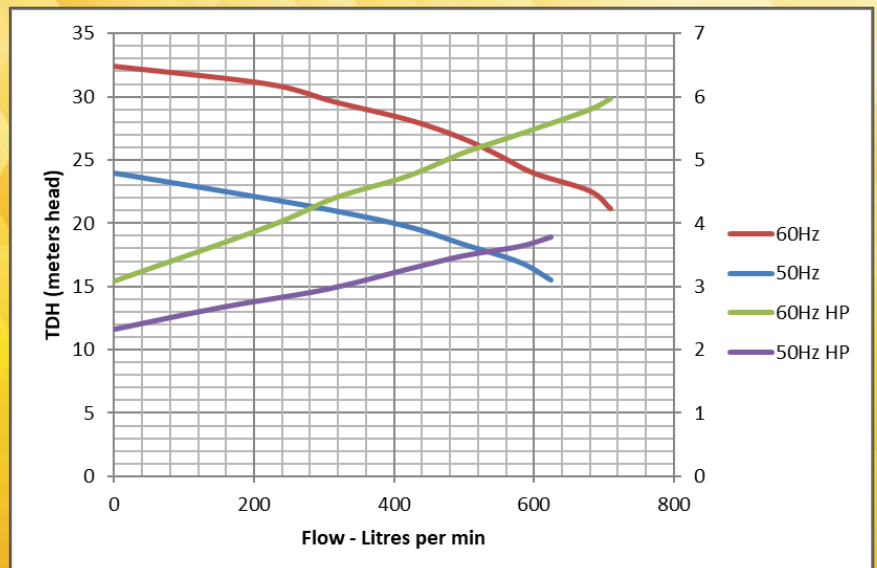
E3/4SS
0.75kW
Q-max 196lpm
THD-max 14m



E05SS
1.1kw
Q-max 340lpm
TDH-max: 15m



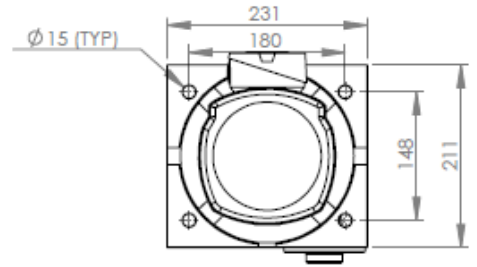
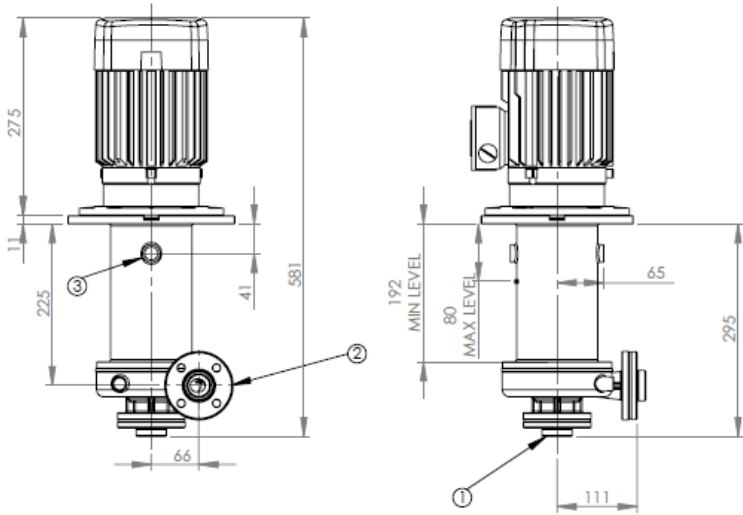
EH5SS
3.0kW
Q-max: 625lpm
TDH-max: 24m



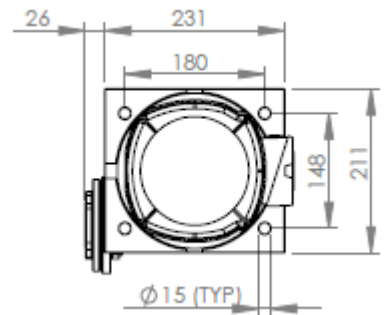
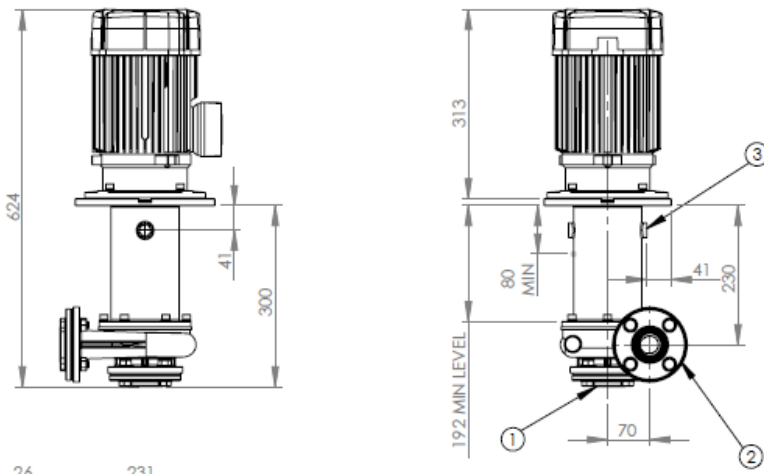


SERFILCO®

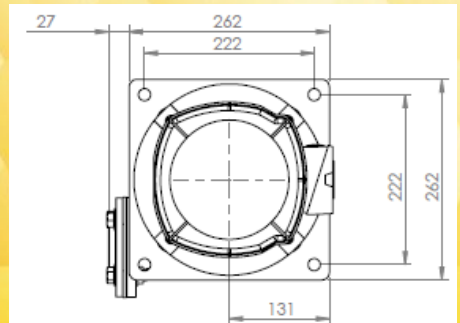
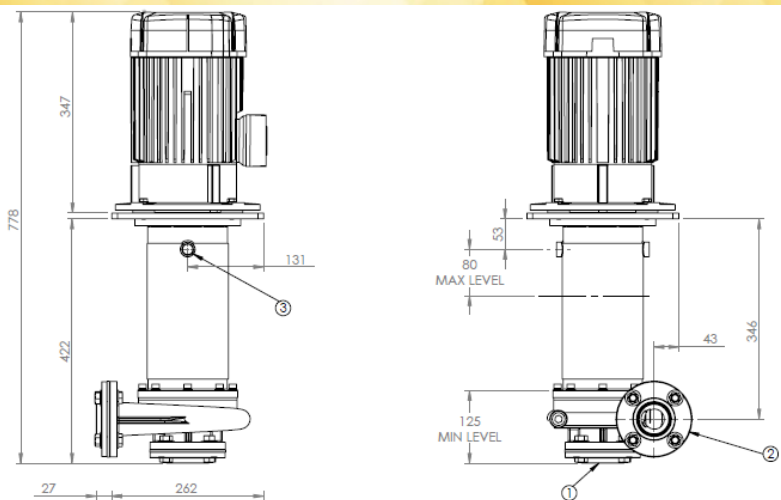
Chemical resistant pumps & filters engineered for industry



- 1) SUCTION FLANGE, 1" FEMALE BSP.
- 2) DISCHARGE FLANGE, 1" FEMALE BSP.
- 3) WEEP HOLE (2 OFF), 1/2" FEMALE BSP.



- 1) SUCTION, 1-1/2" FEMALE B.S.P.
- 2) DISCHARGE, 1-1/2" FEMALE B.S.P.
- 3) WEEP HOLE, 2 OFF, 1/2" FEMALE B.S.P.



- 1) SUCTION, 2" FEMALE BSP.
- 2) DISCHARGE, 2" FEMALE BSP.
- 3) WEEP HOLE, 2 OFF, 1/2" FEMALE BSP.

SERFILCO INTERNATIONAL LTD TEL: +44 (0)161 7751910 MAIL: global@serfilco.com

WEB: www.serfilco.co.uk

GLOBAL PRODUCTS, LOCAL SERVICE & ADVICE YOU CAN RELY ON